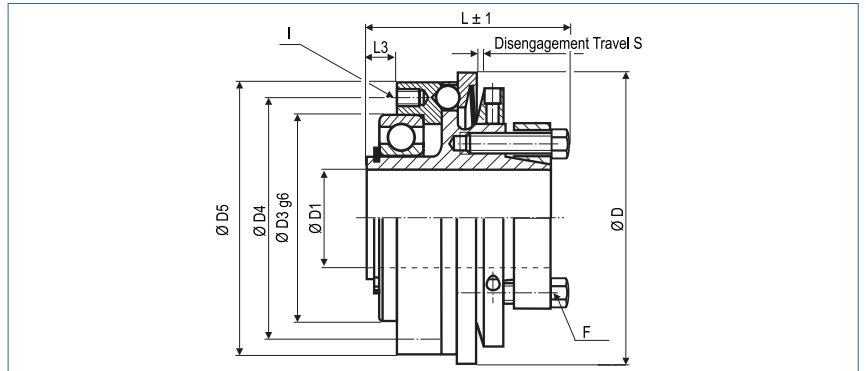


Safety Coupling

with outer cone

optional
nickel-plated version
optional full stainless
steel version



Order Code

KBK/L-A - 60 - 20H7 - 20Nm - C or D - 2

Type Size ØD1 (H7) Disengagement Torque Torque Range

C = Single Position D = Multi Position Engagement

Size	Dimensions (mm)										Technical Data				
	ØD	Ø D1	Ø D3	Ø D4	Ø D5	L	L3	S	I	F	Torque Range		max. speed (1/min)	Mass (kg)	Moment of Inertia J (kg cm ²)
	Outer Ø	Bore Size (H7) min-max				Length			6x	Screw ISO4017 T _A (Nm)	1 T _{KN} (Nm)	2 T _{KN} (Nm)			
-10	49	5-12 10#	37	42	47	37.5	5	0.7	M3	M3 2.1	3-7	5-10	12000	0.18	0.4
-30	64	12-20 14#	47	53	60	48	6	1.2	M4	M5 5.9	5-15	10-30	9400	0.54	2.2
-60	79	15-25 18#	62	69	75	66	8	1.2	M5	M5 8.7	13-35	20-65	7800	1.01	6.2
-80	94	20-35 27#	68	80	90	68.5	10	2	M6	M6 15	15-40	30-80	6400	1.72	15
-150	94	20-35 27#	68	80	90	68.5	10	2	M6	M6 15	50-130	65-150	6400	1.72	15
-200	109	20-42 34#	80	90	105	74.5	10	2	M6	M6 15	30-90	80-200	5500	2	24
-300	119	25-50 42#	90	102	115	83.5	10	2	M8	M8 25	60-200	150-300	5000	3.3	49
-500	129	35-55 45#	100	112	125	89	10	2	M8	M8 36	80-250	200-500	4500	4.7	83
-800	169	50-70 58#	110	125	165	118	15	2	M12	M12 85	260-600	500-900	3500	13.1	380
-1400	169	50-70 58#	110	125	165	118	15	2	M12	M12 115	450-900	800-1400	3500	13.2	385



Keyway optional acc. DIN 6885
biggest bore marked with a #

Temperature Range -30 °C ~ 120 °C