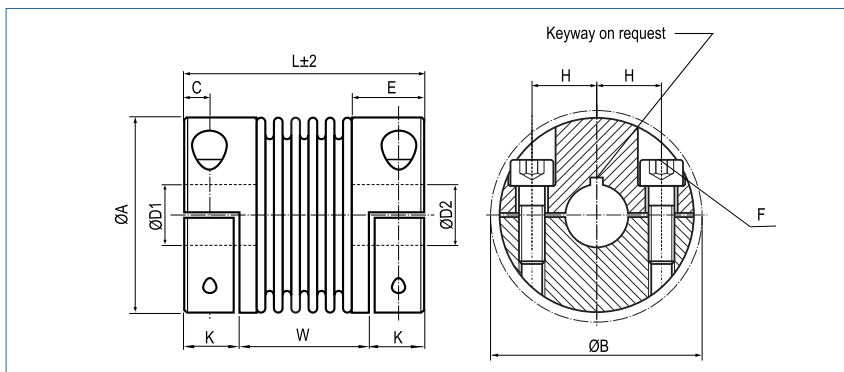


**Metal Bellows Coupling**

with split hubs, compact

optional  
laserwelded  
optional full stainless  
steel version



**Order Code**

**KB4HC / 60 - 67 - 20 - 20 - (S)**

Type / Size

Length  
L

ØD1  
(H7)

ØD2  
(H7)

Options

Size	Torque TKN (Nm)	Dimensions (mm)										Technical Data								
		L Length	Ø A Outer Ø	D1/D2 Bore Sizes (H7) min~max	H	C	E	W	K	B	F Screw (ISO4762) TA (Nm)	Mass (kg)	Moment of Inertia J	Spring Stiffness			Misalignment			max. speed (min-1)
													torsional CT 10³ (Nm/rad)	radial CR (N/mm)	axial CA (N/mm)	radial ΔKr (mm)	axial ΔKa (mm)	angular ΔKw (°)		
18	18	58	45	10-25.4	17	5.5	17.5	36	11	47.4	M5	0.07	0.03	20	205	50	0.2	0.5	1.5	12800
		66						44				8	0.12	0.04	15	82	36	0.25	0.5	2
30	30	58	56	10-32	20	7.3	21	31	13.5	56.4	M6	0.26	0.13	38	720	50	0.15	0.6	1.5	10300
		66		39				15				0.27	0.14	28	225	28	0.25	1	2	10300
60	60	67	66	12-35	23	8.6	24	33	17	66.2	M8	0.38	0.28	75	1150	90	0.15	0.6	1.5	8700
		77						43				40	0.42	0.31	50	340	50	0.25	1	2
80	80	78	82	12-44	28	9.8	27	42	18	82.9	M10	0.70	0.78	128	1200	80	0.2	0.5	1.5	6900
		89						53				84	0.76	0.85	75	400	50	0.25	0.8	2
150	150	78	82	14-44	28	9.8	27	42	18	82.9	M10	0.73	0.82	155	2020	145	0.2	0.5	1.5	6900
		89						53				84	0.80	0.89	105	595	85	0.25	0.8	2
200	200	83	90	16-47	31	10.8	29	43	20	90.8	M12	0.89	1.19	175	2500	145	0.2	0.5	1.5	6400
		94						54				125	0.95	1.27	120	460	82	0.25	0.8	2
300	300	94	110	20-60	40	11.8	32.5	50	22	110	M12	1.37	2.74	502	6300	280	0.2	0.5	1.5	6000
		105						61				145	1.43	2.86	285	1400	145	0.25	0.8	2
500	500	100	122	25-70	42	13.3	36	48	26	122	M12	1.81	4.45	690	7790	100	0.2	0.5	1.5	5000
		111						59				145	1.91	4.69	320	970	85	0.25	1	2



<b>Material</b>	bellows - stainless steel hub - aluminium
<b>Hub</b>	bore tolerance: H7
<b>Temperature Range</b>	-30 °C ~ 120 °C
<b>Keyway</b>	optional acc. DIN 6885 biggest bore marked with a #