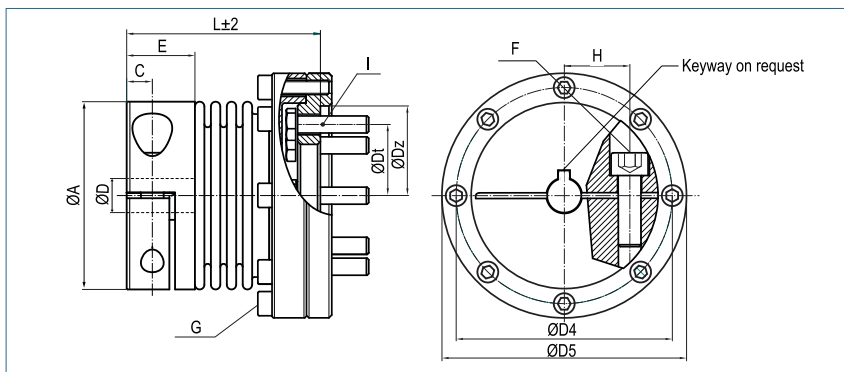


Metal Bellows Coupling

with adapting flange

optional
laserwelded
optional full stainless
steel version



Order Code

KB4F / 150 - 79 - 30 - 63

Type / Size

Length
L

ØD
(H7)

Dt

Size	Torque TKN (Nm)	Dimensions (mm)								Technical Data								
		L	Ø A	D1	H	C	E	D4	F	Mass (kg)	Moment of Inertia J (g m ²)	Spring Stiffness			Misalignment			max. speed (min-1)
		Length	Outer Ø	Bore Size (H7) min~max					Screw (ISO4762) TA (Nm)			torsional CT 10 ³ (Nm/rad)	radial CR (N/mm)	axial CA (N/mm)	radial ΔKr (mm)	axial ΔKa (mm)	angular ΔKw (°)	
18	18	63	45	10-25.4	17	5.5	17.5	56.5	M5	0.50	0.15	20	205	50	0.2	0.5	1.5	12800
		71							8	0.52	0.16	15	82	36	0.25	0.5	2	
30	30	61	56	10-32	20	7.3	21	65	M6	0.70	0.20	38	720	50	0.15	0.6	1.5	10300
		69		15					0.72	0.21	28	225	28	0.25	1.0	2		
60	60	68	66	12-35	23	8.6	24	76	M8	1.00	0.65	75	1150	90	0.15	0.6	1.5	8700
		78		40					1.05	0.68	50	340	50	0.25	1.0	2		
150	150	79	82	14-44	28	9.8	27	94	M10	1.65	1.30	155	2020	145	0.2	0.5	1.5	6900
		90		84					1.75	1.37	105	595	85	0.25	0.8	2		
300	300	90	110	30-60	40	11.8	32.5	120	M12	2.90	5.50	502	6300	280	0.2	0.5	1.5	6000
		101		145					3.00	5.62	285	1400	145	0.25	0.8	2		
500	500	100	122	35-70	42	13.3	36	142	M12	4.55	9.00	690	7790	100	0.2	0.5	1.5	5000
		111		145					4.70	9.15	320	970	85	0.25	1	2		
1400	1400	140	157	50-80	55	22.5	55	171	2xM20	10.50	45	1270	700	275	0.2	0.8	1.8	5000
									470									



Material	bellows - stainless steel collet clamps - to Size 500: high-tensile aluminium collet clamps - Size 1400: Steel flanges - steel
Hub	bore tolerance: H7
Temperature Range	-30 °C ~ 120 °C -30 °C ~ 250 °C (Size 1400)
Keyway	optional acc. DIN 6885 biggest bore marked with a #

Size	Dimensions (mm)				
	G	D5	Dt	Dz	I
	Screw (ISO4762) / TA (Nm)		PCD	H7	Screw (ISO4017) / TA (Nm)
18	8 x M4 / 4.5Nm	63.5	31.5	40	8 x M5 / 7.6Nm
30	8 x M5 / 8Nm	74	40	50	8 x M6 / 13.2Nm
60	8 x M5 / 8Nm	86	50	63	8 x M6 / 13.2Nm
150	8 x M6 / 15Nm	104	63	80	12 x M6 / 13.2Nm
300	12 x M6 / 15Nm	132	80	100	12 x M8 / 31.8Nm
500	12 x M8 / 40Nm	155	100	130	12 x M10 / 63Nm
1400	16 x M8 / 40Nm	184	125	160	12 x M10 / 63Nm