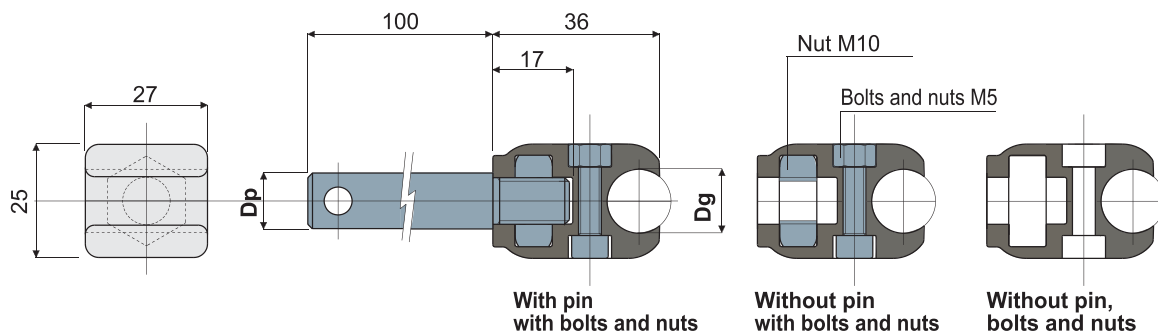


Guide rail clamp

(for round rail)

Part. **204**



Dp Pin diameter (mm)	Dg Rail diameter (mm)	With pin with bolts and nuts Code
12	8	204 / 80798
	10	204 / 80799
	12	204 / 80800
	14	204 / 80801
14	8	204 / 80802
	10	204 / 80803
	12	204 / 80804
	14	204 / 80805
16	8	204 / 80806
	10	204 / 80807
	12	204 / 80808
	14	204 / 80809

Dg Rail diameter (mm)	Without pin with bolts and nuts Code
8	204 / 80810
10	204 / 80811
12	204 / 80812
14	204 / 80813

Dg Rail diameter (mm)	Without pin, bolts and nuts Code
8	204 / 80978
10	204 / 80979
12	204 / 80980
14	204 / 80981

MATERIALS: Clamp made of reinforced polyamide black colour; pin, bolts and nuts made of stainless steel AISI 304.

FEATURES: Supplied with or without support pin and with or without bolts and nuts.

BOX QUANTITY: 24 pieces.

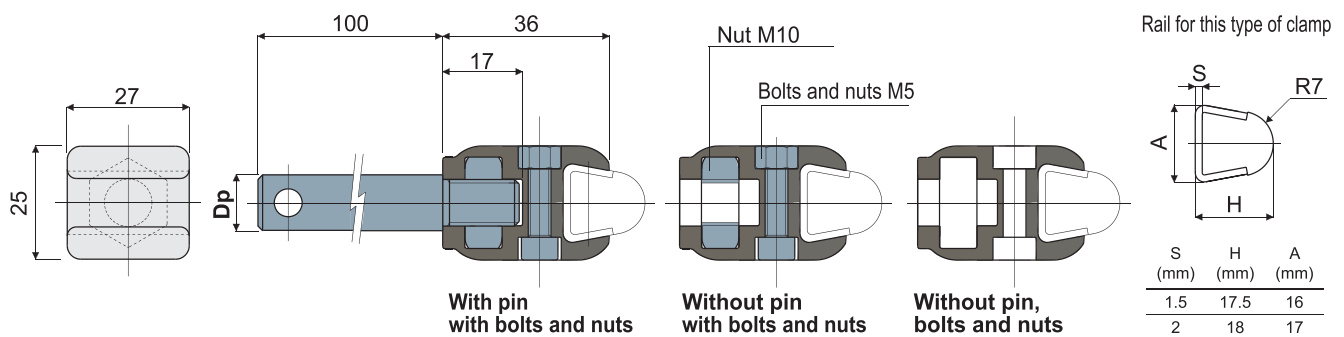
ON REQUEST:

- **Clamps:** In reinforced polypropylene, other colours.
- **Box Quantity:** According to your request.

Guide rail clamp

(for trapezoidal rail)

Part. **205**



Dp Pin diameter (mm)	With pin with bolts and nuts	Without pin with bolts and nuts	Without pin, bolts and nuts
	Code	Code	Code
12	205 / 80814		
14	205 / 80815	205 / 80817	205 / 80982
16	205 / 80816		

MATERIALS: Clamp made of reinforced polyamide black colour; pin, bolts and nuts made of stainless steel AISI 304.

FEATURES: Supplied with or without support pin and with or without bolts and nuts. This part can be used with rails with thickness of 1,5 and 2 mm.

BOX QUANTITY: 24 pieces.

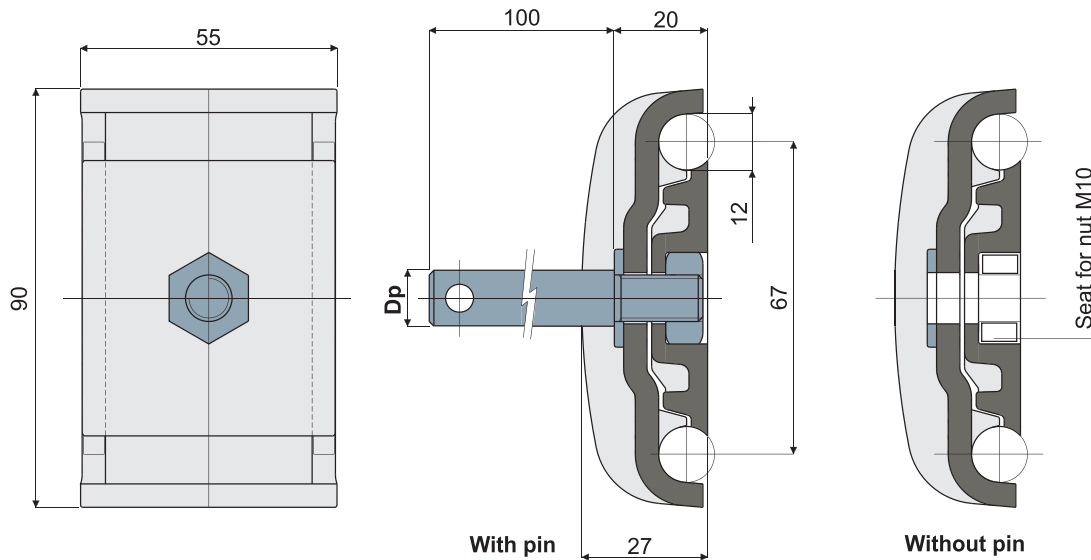
ON REQUEST:

- **Clamps:** In reinforced polypropylene, other colours.
- **Box Quantity:** According to your request.

Guide rail clamp

(for round rails)

Part. **229**



Dp Pin diameter (mm)	With pin Code	Without pin Code
12	229 / 80681	
14	229 / 80682	229 / 80609
16	229 / 80683	

MATERIALS: Clamp made of reinforced polyamide black colour; pin, nut and washer made of stainless steel AISI 304.

FEATURES: Supplied with or without support pin.

BOX QUANTITY: 24 pieces.

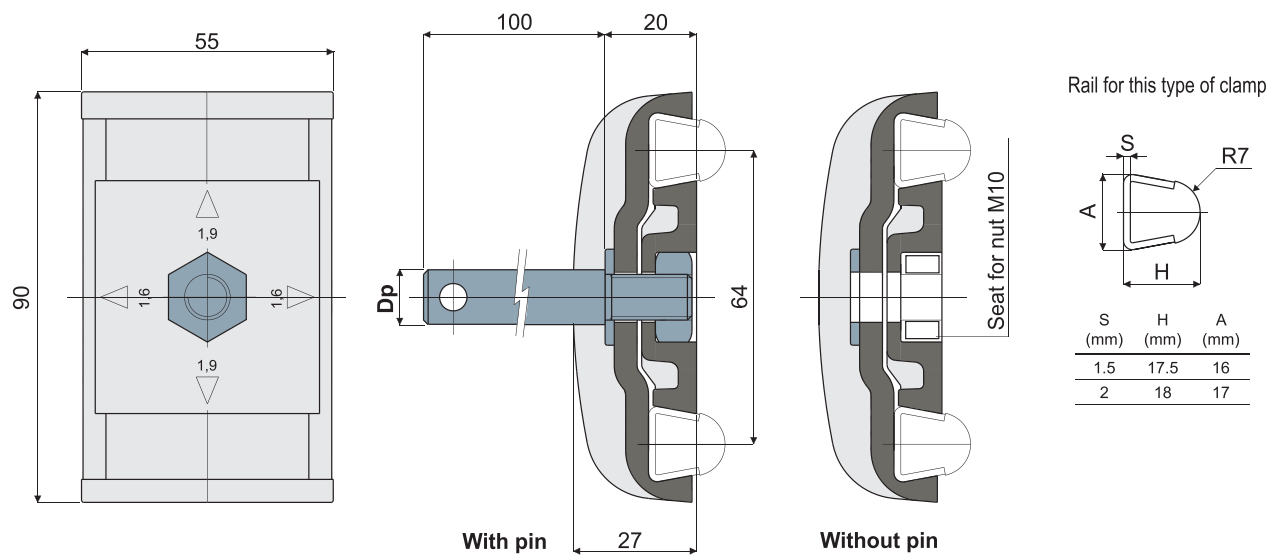
ON REQUEST:

- **Clamps:** In reinforced polypropylene, other colours.
- **Box Quantity:** According to your request.

Guide rail clamp

(for trapezoidal rails)

Part. **230**



Dp Pin diameter (mm)	With pin Code	Without pin Code
12	230 / 80684	
14	230 / 80685	230 / 80611
16	230 / 80686	

MATERIALS: Clamp made of reinforced polyamide black colour; pin, nut and washer made of stainless steel AISI 304.

FEATURES: Supplied with or without support pin. This part can be used with rails with thickness of 1,5 and 2 mm, by rotating for 90° the central plate.

BOX QUANTITY: 24 pieces.

ON REQUEST:

- Clamps: In reinforced polypropylene, other colours.
- Box Quantity: According to your request.