

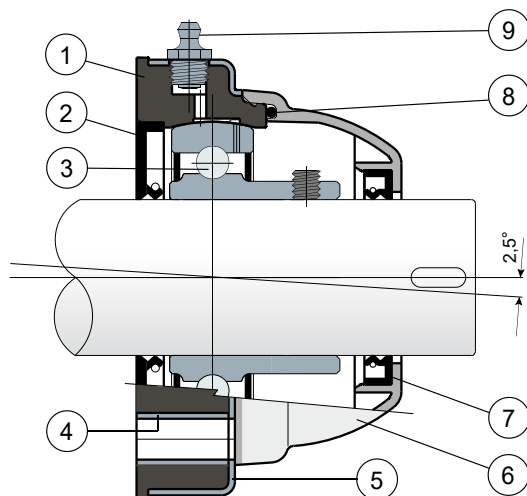


Square flanged bearing supports

Serie **UCF/CA**



External cover made out of stainless steel AISI 304



- 1) Internal body of support made out of black polypropylene reinforced with glass fibers.
- 2) Back gasket made out of NBR rubber for turning shaft seal.
- 3) Chrome steel or stainless steel bearing AISI 440.
- 4) Spacer for fixing reinforcement made out of stainless steel AISI 304.
- 5) External cover of support made out of AISI 304 stainless steel.
- 6) Protection cover made out of polypropylene (grey colour Ral 7042).
- 7) Front gasket made out of NBR rubber for turning shaft seal.
- 8) OR gasket made out of NBR rubber
- 9) Greaser for relubrication made out of nickel-plated brass.

Maximum shaft alignment error 2,5°

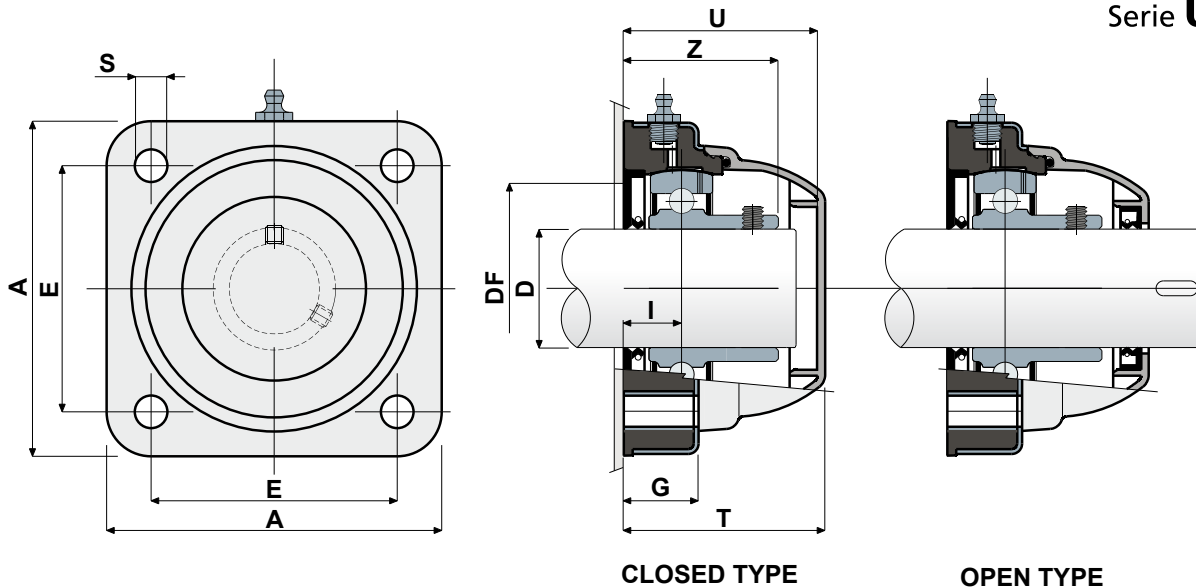
For further information please contact our technical office or sales department.



Square flanged bearing supports

Technical data

Serie **UCF/CA**



CHROME STEEL BEARING																
D (mm)	SERIE	CODES		DIMENSIONS (mm)										Bearing load (N)		Bearing support load (N)
		Closed type	Open type	E	A	S	G	I	Z	U	T	DF		C	C0	
30	UCF 206 CA	80409	80410	83	113	11	27	20	41	65	68	60	50	19500	11300	17500
35	UCF 207 CA	80485	80486	83	113	11	27	19,5	45	65	68	70	55	25500	15300	18000
40	UCF 208 CA	80411	80412	83	113	11	27	19,5	48,5	65	68	78	65	32500	19800	18000

STAINLESS STEEL BEARING AISI 440																
D (mm)	SERIE	CODES		DIMENSIONS (mm)										Bearing load (N)		Bearing support load (N)
		Closed type	Open type	E	A	S	G	I	Z	U	T	DF		C	C0	
30	UCF 206 CA	80453	80464	83	113	11	27	20	41	65	68	60	50	12500	11200	17500
35	UCF 207 CA	81059	81060	83	113	11	27	19,5	45	65	68	70	55	16600	15300	18000
40	UCF 208 CA	80454	81061	83	113	11	27	19,5	48,5	65	68	78	65	20000	19000	18000

VERSIONS WITH MEASURES IN INCHES

CHROME STEEL BEARING																
D (inches)	SERIE	CODES		DIMENSIONS (mm)										Bearing load (N)		Bearing support load (N)
		Closed type	Open type	E	A	S	G	I	Z	U	T	DF		C	C0	
1 1/4	UCF 206 CA	84499	84503	83	113	11	27	20	41	65	68	60	50	12500	11200	17500

MATERIALS: Support made out of black colour PP + glass fiber; external cover of support made out of AISI 304 stainless steel; chrome steel or stainless steel bearing; greaser made out of nickel plated brass; reinforcement bushings made out of AISI 304 stainless steel; gaskets made out of NBR rubber; protection cover made out of polypropylene grey colour RAL 7042.

FEATURES: Full protection of bearing against external agents. Support body made out of polypropylene covered by an AISI 304 stainless steel later, to obtain the maximum chemical resistance to antibacterial detergents used in food processing field. More over this part is moulded without internal cavities in order to obtain the best sanitation. Assembly with not shouldered shaft. Maximum shaft alignment error 2.5°.

BOX QUANTITY: 8 pieces.

ON REQUEST: Protection covers in different colors and with customized brand; box quantity according to your request; internal body in reinforced polypropylene white color; Viton gaskets, "Long life" bearings.

Self-aligning bearings with Solid body: completely closed surface to guarantee the max hygiene.

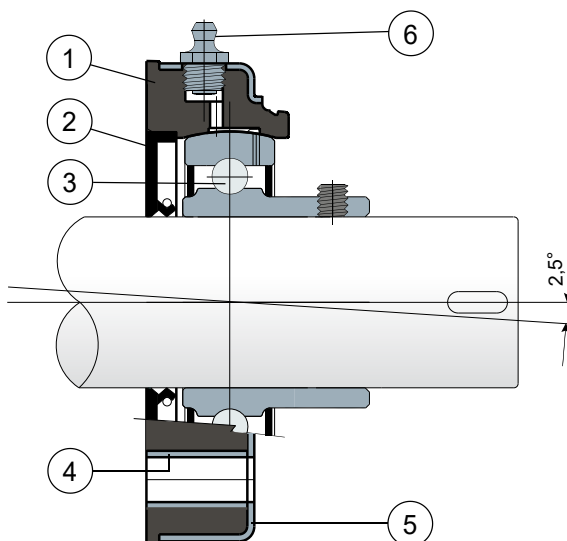


Square flanged bearing supports

Serie **UCF/CXA**



External cover made out of stainless steel AISI 304; without protection cover



- 1) Internal body of support made out of black polypropylene reinforced with glass fibers.
- 2) Back gasket made out of NBR rubber for turning shaft seal.
- 3) Chrome steel or stainless steel bearing AISI 440.
- 4) Spacer for fixing reinforcement made out of stainless steel AISI 304.
- 5) External cover of support made out of AISI 304 stainless steel.
- 6) Greaser for relubrication made out of nickel-plated brass.

NOTE: The only difference from UCF/CA series is lack of protection cover, which can be ordered separately as an accessory.

Maximum shaft alignment error 2,5°

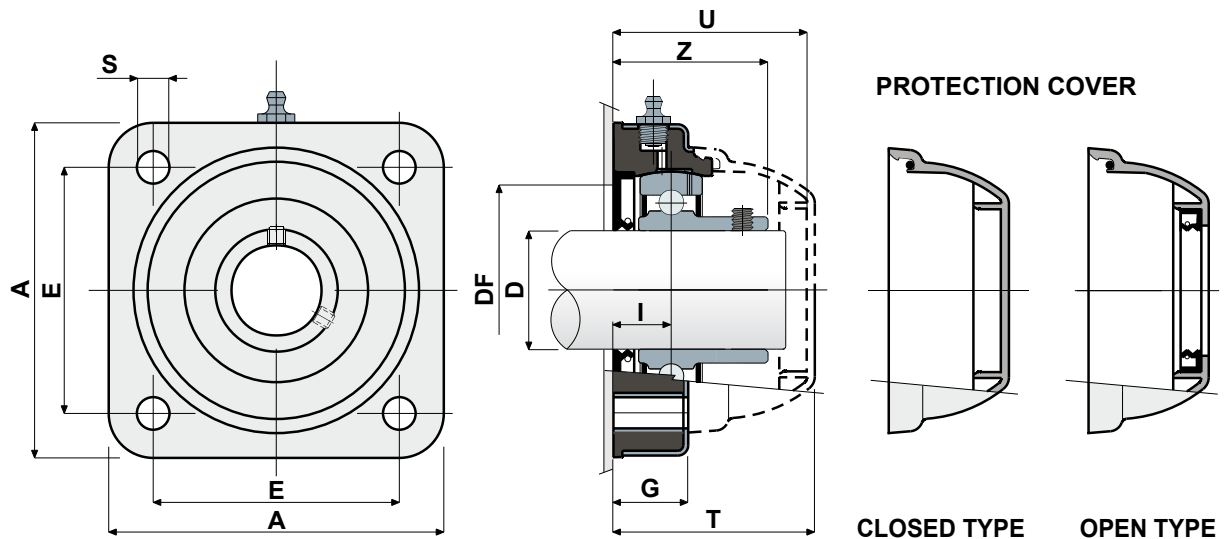
For further information please contact our technical office or sales department.



Square flanged bearing supports

Technical data

Serie **UCF/CXA**



CHROME STEEL BEARING																		
D (mm)	SERIE	Support CODES	DIMENSIONS (mm)									Bearing load (N)		Bearing support load		COVER CODES		
			E	A	S	G	I	Z	U	T	DF Max	DF Min	C	C0	(N)	Closed type	Open type	
30	UCF 206 CXA	80413	83	113	11	27	20	41	65	68	60	50	19500	11300	17500			80494
35	UCF 207 CXA	80479	83	113	11	27	19,5	45	65	68	70	55	25500	15300	18000	80256		80495
40	UCF 208 CXA	80414	83	113	11	27	19,5	48,5	65	68	78	65	32500	19800	18000			80257

STAINLESS STEEL BEARING AISI 440																		
D (mm)	SERIE	Support CODES	DIMENSIONS (mm)									Bearing load (N)		Bearing support load		COVER CODES		
			E	A	S	G	I	Z	U	T	DF Max	DF Min	C	C0	(N)	Closed type	Open type	
30	UCF 206 CXA	80499	83	113	11	27	20	41	65	68	60	50	12500	11200	17500			80494
35	UCF 207 CXA	80500	83	113	11	27	19,5	45	65	68	70	55	16600	15300	18000	80256		80495
40	UCF 208 CXA	80501	83	113	11	27	19,5	48,5	65	68	78	65	20000	19000	18000			80257

VERSIONS WITH MEASURES IN INCHES

CHROME STEEL BEARING																		
D (inches)	(mm)	SERIE	Support CODES	DIMENSIONS (mm)									Bearing load (N)		Bearing support load		COVER CODES	
				E	A	S	G	I	Z	U	T	DF Max	DF Min	C	C0	(N)	Closed type	Open type
1"1/4	31,75	UCF 206 CXA	84505	83	113	11	27	20	41	65	68	60	50	12500	11200	17500	80256	85204

MATERIALS: Support made out of PP + glass fiber; external cover of support made out of AISI 304 stainless steel; chrome steel or stainless steel bearing; greaser made out of nickel plated brass; reinforcement bushings made out of AISI 304 stainless steel; gaskets made out of NBR rubber; protection cover made out of polypropylene grey colour RAL 7042.

FEATURES: The only difference from UCF/CA series is lack of protection cover, which can be ordered separately as an accessory. Support body made out of polypropylene covered by an AISI 304 stainless steel later, to obtain the maximum chemical resistance to antibacterial detergents used in food processing field. More over this part is moulded without internal cavities in order to obtain the best sanification. Assembly with not shouldered shaft. Maximum shaft alignment error 2.5°.

BOX QUANTITY: 8 pieces.

ON REQUEST: Protection covers in different colors and with customized brand; internal body in reinforced polypropylene white color; box quantity according to your request; Viton gaskets, "Long life" bearings.

Self-aligning bearings with Solid body: completely closed surface to guarantee the max hygiene.