



Oval flanged bearing supports

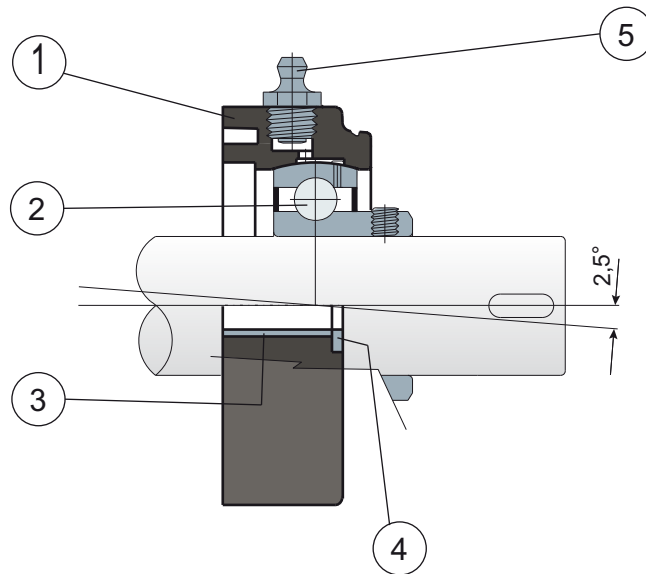
Serie **UCFL**



NEW

New product line with support body in PA white colour.

Without cover and back gasket



- 1) Support body made out of black or white polyamide reinforced with glass fibers.
- 2) Chrome steel or stainless steel bearing AISI 440C.
- 3) Spacer for fixing reinforcement made out of stainless steel AISI 304.
- 4) UNI 6592 support washer made out of stainless steel AISI 304.
- 5) Greaser for relubrication made out of nickel-plated brass.

NOTE: The only difference from UCFL/C series is lack of back gasket and protection cover, which can be ordered separately as accessories.

Support dimensions respect ISO 3228 set of rules.

Maximum shaft alignment error 2,5°

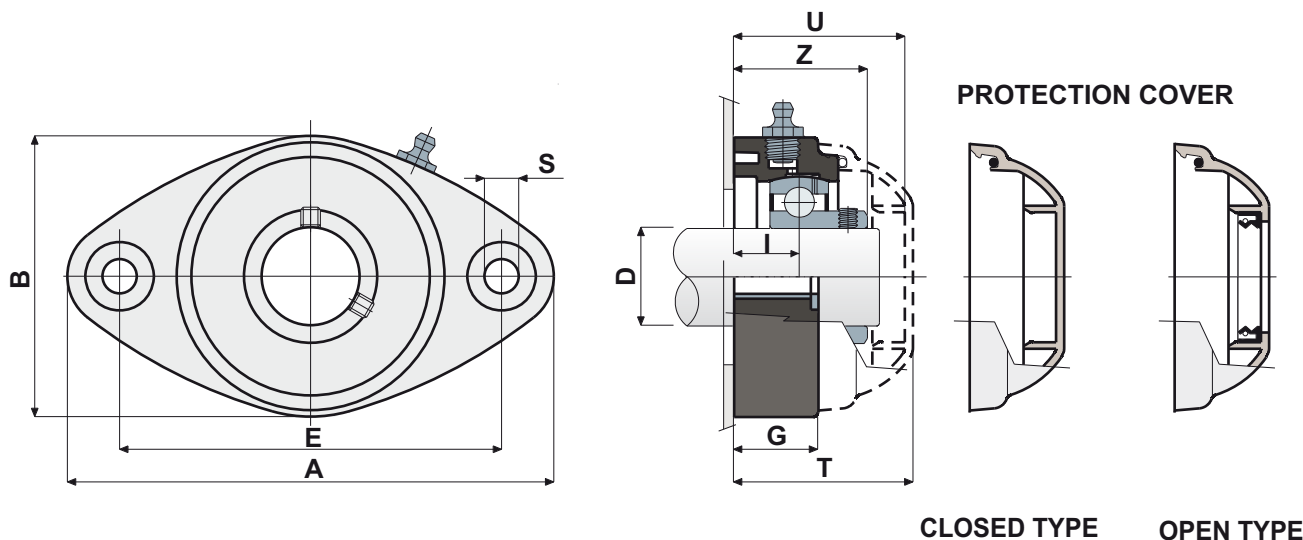
For further information please contact our technical office or sales department.



Oval flanged bearing supports

Technical data

Serie **UCFL**



CHROME STEEL BEARING																	
D	SERIE	Support CODES		DIMENSIONS (mm)								Bearing load (N)		Bearing support load		COVER CODES	
		Black colour	White colour	E	A	B	S	G	I	Z	U	T	C	C0	(N)	Closed type	Open type
20	UCFL 204	80265	84668	90	118	64	10,5	19	15,5	33,5	44	46,5	12800	6600	8500	80254	80255
25	UCFL 205	80063	84669	99	131	72	10,5	22	17	36	47	49	14000	7800	10000	80075	80076
30	UCFL 206	80064	84670	117	149	86	10,5	26	20	41	54	56	19500	11300	13000	80011	80053
35	UCFL 207	80065	84671	130	163	94	10,5	26	20	45	57	59	25500	15300	14000	80077	80078

STAINLESS STEEL BEARING AISI 440C																	
D	SERIE	Support CODES		DIMENSIONS (mm)								Bearing load (N)		Bearing support load		COVER CODES	
		White colour	White colour	E	A	B	S	G	I	Z	U	T	C	C0	(N)	Closed type	Open type
20	UCFL 204	80519	84672	90	118	64	10,5	19	15,5	33,5	44	46,5	8500	6550	8500	80254	80255
25	UCFL 205	80520	84673	99	131	72	10,5	22	17	36	47	49	9150	7800	10000	80075	80076
30	UCFL 206	80521	84674	117	149	86	10,5	26	20	41	54	56	12500	11200	13000	80011	80053
35	UCFL 207	80522	84675	130	163	94	10,5	26	20	45	57	59	16600	15300	14000	80077	80078

VERSIONS WITH MEASURES IN INCHES

CHROME STEEL BEARING																	
D (inches) (mm)	SERIE	Support CODES		DIMENSIONS (mm)								Bearing load (N)		Bearing support load		COVER CODES	
		Black colour	White colour	E	A	B	S	G	I	Z	U	T	C	C0	(N)	Closed type	Open type
1" 25,4	UCFL 205	84513	84903	99	131	72	10,5	22	17	36	47	49	14000	7800	10000	80075	80076
1"1/4 31,75	UCFL 206	84514	84904	117	149	86	10,5	26	20	41	54	56	19500	11300	13000	80011	80053

MATERIALS: Support made out of black or white colour PA + glass fiber; chrome steel or stainless steel bearing; greaser made out of nickel plated brass; reinforcement bushings and washers made out of stainless steel AISI 304; gaskets made out of NBR rubber; cover made out of polypropylene, grey colour RAL 7042.

FEATURES: The difference from UCFL/C series is lack of back gasket and protection cover, which can be ordered separately as accessories. Assembly with shouldered and not shouldered shafts. Maximum shaft alignment error 2.5°.

BOX QUANTITY: 8 pieces.

ON REQUEST: Versions with body in polypropylene + glass fiber and antibacterial additive; protection cover in different colors and with customized brand; box quantity according to your request; Viton gaskets, "Long life" bearings.