



Square flanged bearing supports

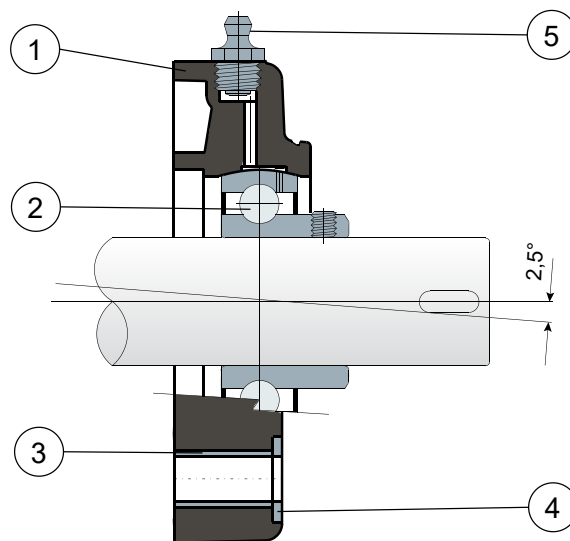
Serie **UCF**
Serie **MUCF**



NEW

New product line with support body in PA white colour.

Without cover and back gasket



- 1) Support body made out of black or white colour polyamide reinforced with glass fibers.
- 2) Chrome steel or stainless steel bearing AISI 440.
- 3) Spacer for fixing reinforcement made out of stainless steel AISI 304.
- 4) UNI 6592 support washer made out of stainless steel AISI 304.
- 5) Greaser for relubrication made out of nickel-plated brass.

NOTE: The only difference from UCF/C series is lack of back gasket and protection cover, which can be ordered separately as accessories.

Support dimensions respect ISO 3228 set of rules.
Maximum shaft alignment error 2,5°

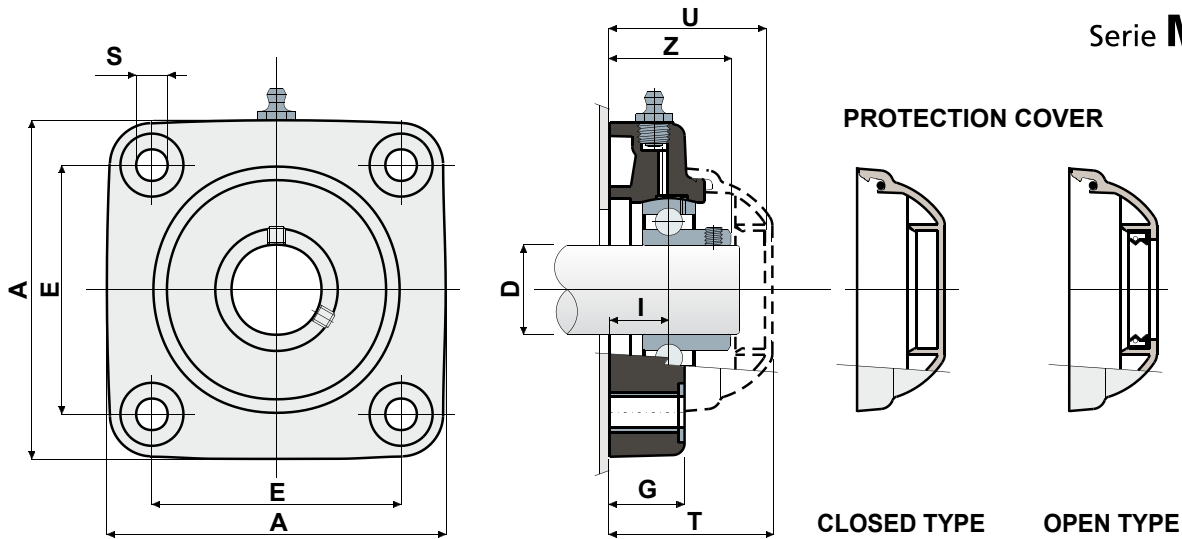
For further information please contact our technical office or sales department.



Square flanged bearing supports

Technical data

Serie **UCF**
Serie **MUCF**



CHROME STEEL BEARING																
D	SERIE	Support CODES		DIMENSIONS (mm)								Bearing load (N)		Bearing support load	COVER CODES	
		Black colour	White colour	E	A	S	G	I	Z	U	T	C	C0	(N)	Closed type	Open type
20	UCF 204	80258	84628	63,5	90	10,5	19	15,5	33,5	44	46,5	12800	6600	16500	80254	80255
25	UCF 205	80054	84629	70	99	10,5	22	17	36	47	49	14000	7800	17000	80075	80076
30	UCF 206	80010	84630	83	113	10,5	26	20	41	54	56	19500	11300	17500	80011	80053
30	MUCF 206	84043	84631	83	113	10,5	26	20	41	65	68	19500	11300	17500	80256	80494
35	UCF 207	80055	84632	92	122	10,5	26	20	45	57	59	25500	15300	18000	80077	80078
35	MUCF 207	82652	84633	83	113	10,5	26	19,5	45	65	68	25500	15300	18000	80256	80495
40	UCF 208	80259	84634	102	133	10,5	26	19,5	48,5	65	68	32500	19800	18000	80256	80257
40	MUCF 208	80712	84635	83	113	10,5	26	19,5	48,5	65	68	32500	19800	18000	80256	80257

STAINLESS STEEL BEARING AISI 440																
D	SERIE	Support CODES		DIMENSIONS (mm)								Bearing load (N)		Bearing support load	COVER CODES	
		Black colour	White colour	E	A	S	G	I	Z	U	T	C	C0	(N)	Closed type	Open type
20	UCF 204	80514	84636	63,5	90	10,5	19	15,5	33,5	44	46,5	8300	6550	16500	80254	80255
25	UCF 205	80515	84637	70	99	10,5	22	17	36	47	49	9150	7800	17000	80075	80076
30	UCF 206	80976	84638	83	113	10,5	26	20	41	54	56	12500	11200	17500	80011	80053
30	MUCF 206	84044	84639	83	113	10,5	26	20	41	65	68	12500	11200	17500	80256	80494
35	UCF 207	81052	84640	92	122	10,5	26	20	45	57	59	16600	15300	18000	80077	80078
35	MUCF 207	83468	84641	83	113	10,5	26	19,5	45	65	68	16600	15300	18000	80256	80495
40	UCF 208	80695	84642	102	133	10,5	26	19,5	48,5	65	68	20000	19000	18000	80256	80257
40	MUCF 208	81045	84643	83	113	10,5	26	19,5	48,5	65	68	20000	19000	18000	80256	80257

VERSIONS WITH MEASURES IN INCHES

CHROME STEEL BEARING																	
D	SERIE	Support CODES		DIMENSIONS (mm)								Bearing load (N)		Bearing support load	COVER CODES		
		Black colour	White colour	E	A	S	G	I	Z	U	T	C	C0	(N)	Closed type	Open type	
1"	25,4	UCF 205	84496	84887	70	99	10,5	22	17	36	47	49	14000	7800	17000	80075	85202
1 1/4"	31,75	UCF 206	84497	84888	83	113	10,5	26	20	41	54	56	19500	11300	17500	80011	85203
1 1/4"	31,75	MUCF 206	84498	85183	83	113	10,5	26	20	41	65	68	19500	11300	17500	80256	85204

MATERIALS: Support made out of PA + glass fiber black or white colour; chrome steel or stainless steel bearing; greaser made out of nickel plated brass; reinforcement bushings and washers made out of stainless steel AISI 304; gaskets made out of NBR rubber; cover made out of polypropylene, grey colour RAL 7042.

FEATURES: The difference from UCF/C series is lack of back gasket and protection cover, which can be ordered separately as accessories. Assembly with shouldered and not shouldered shafts. Maximum shaft alignment error 2.5°.

BOX QUANTITY: 8 pieces.

ON REQUEST: Versions with body in polypropylene + glass fiber and antibacterial additive; protection cover in different colors and with customized brand; box quantity according to your request; Viton gaskets, "Long life" bearings.

Self-aligning bearings with Solid body: completely closed surface to guarantee the max hygiene.



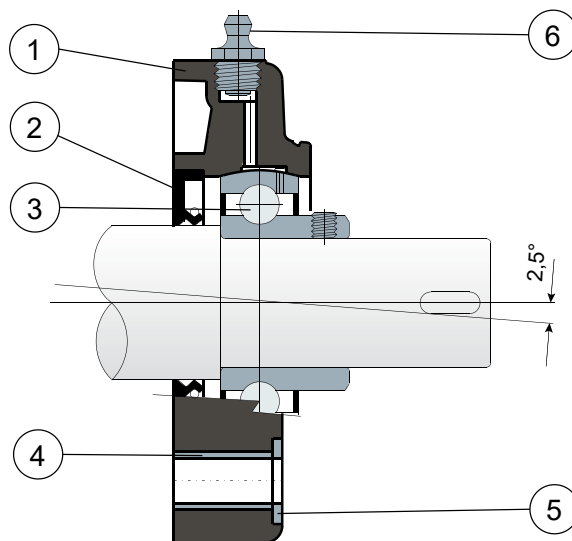
Square flanged bearing supports

Serie **UCF/CS**

Serie **MUCF/CS**



Back gasket for shouldered shaft



- 1) Support body made out of polyamide reinforced with glass fibers.
- 2) Back gasket made out of NBR rubber for turning shaft seal.
- 3) Chrome steel or stainless steel bearing AISI 440.
- 4) Spacer for fixing reinforcement made out of stainless steel AISI 304.
- 5) UNI 6592 support washer made out of stainless steel AISI 304.
- 6) Greaser for relubrication made out of nickel-plated brass.

Support dimensions respect ISO 3228 set of rules.

Maximum shaft alignment error 2,5°

For further information please contact our technical office or sales department.