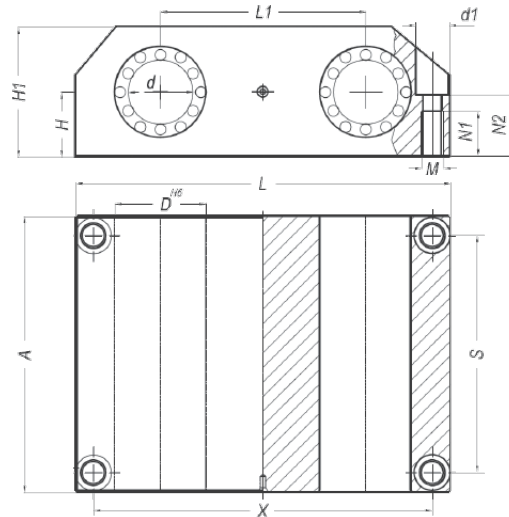




TIP SMLC  
 SMLC TYPE



Cod Code	Tip Type	Ø Ax Shaft Ø	A	H	H1	L	L1	d1	X	S	N1	N2	M	Greutate Weight
														(g)
84.035.005	SMLC12KHPP	12	70	15	30	80	40	8	69	59	11	14	M5	376
84.035.007	SMLC16KHPP	16	80	17,5	35	96	52	8	86	70	11	16,5	M5	612
84.035.009	SMLC20KHPP	20	85	20	40	115	63	10	103	73	14	19	M6	832
84.035.011	SMLC25KHPP	25	100	25	50	136	75	11	123	87	18	24	M8	1464
84.035.013	SMLC30KHPP	30	130	28	56	146	80	11	133	117	18	27	M8	2180
84.035.015	SMLC40KHPP	40	150	35	70	184	97	15	166	132	22	34	M10	3820
84.035.016	SMLC50KHPP	50	175	40	80	210	107	18	189	154	26	39	M12	5500

În carcasa de aluminiu sunt 4 buc. rulmeți KH-PP.  
 Acest produs este compatibil cu suport KTC.

In the aluminium housing is 4db KH-PP bushing.  
 This product is the KTC support unit compatible.