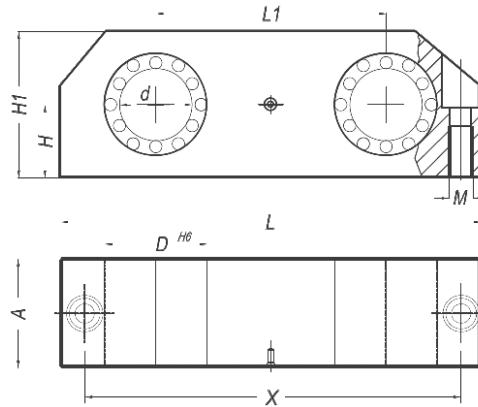


TIP SMCC SMCC TYPE



Cod Code	Tip Type	Ø Ax Shaft Ø	A	H	H1	L	L1	M	X	Greutate Weight
										(g)
84.034.005	SMCC12KHPP	12	28	15	30	80	40	M5	69	188
84.034.007	SMCC16KHPP	16	30	17,5	35	96	52	M5	86	256
84.034.009	SMCC20KHPP	20	30	20	40	115	63	M6	103	316
84.034.011	SMCC25KHPP	25	40	25	50	136	75	M8	123	632
84.034.013	SMCC30KHPP	30	50	28	56	146	80	M8	133	890
84.034.015	SMCC40KHPP	40	60	35	70	184	97	M10	166	1660
84.034.016	SMCC50KHPP	50	70	40	80	210	107	M12	189	2250

În carcasa de aluminiu sunt 2 buc. rulmeți KH-PP.
Acest produs este compatibil cu suport KTC.

In the aluminium housing is 2db KH-PP bushing.
This product is the KTC support unit compatible.