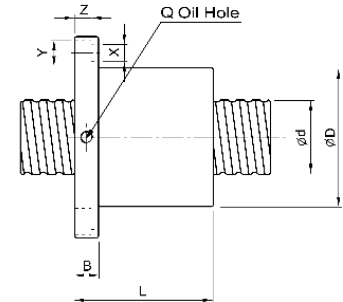
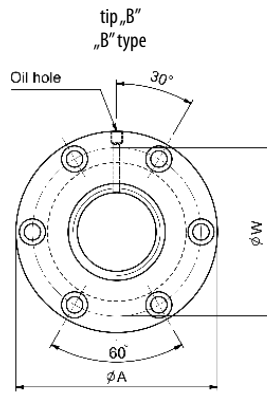
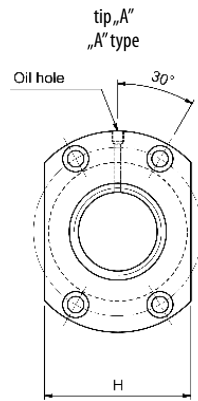




TIP SFV
SFV TYPE



Cod Code Dreapta Right	Tip Type	d	l	Da	D	A	B	L	W	H	X	Y	Z	Q	n	Ca	Coa	K
																(N)		(N/μm)
81.004.009	SFV01205-2.8	12	5	2.5	30	50	10	42	40	32	4.5	8	4.5	M6	2.8x1	6610	13160	190
81.004.010	SFV01210-2.7		10	2.5	30	50	10	53	40	32	4.5	8	4.5	M6	2.7x1	6230	12410	180
81.004.012	SFV01510-2.7 #	15	10	3.175	34	58	10	57	45	34	5.5	9.5	5.5	M6	2.7x1	9720	20200	230
81.004.014	SFV01604-3.8	16	4	2.381	34	57	11	45	45	34	5.5	9.5	5.5	M6	3.8x1	9310	22850	310
81.004.015	SFV01605-4.8		5	3.175	40	63	11	58	51	42	5.5	9.5	5.5	M6	4.8x1	16140	36620	400
81.004.016	SFV01610-2.7	20	10	3.175	40	63	11	56	51	42	5.5	9.5	5.5	M6	2.7x1	10080	21610	240
81.004.019	SFV02004-4.8		4	2.381	40	60	10	50	50	40	4.5	8	4	M6	4.8x1	12470	35840	450
81.004.020	SFV02005-4.8	25	5	3.175	44	67	11	57	55	52	5.5	9.5	5.5	M6	4.8x1	18140	46500	470
81.004.023	SFV02010-2.7 #		10	3.969	46	74	13	57	59	46	6.6	11	6.5	M6	2.7x1	15180	33980	300
81.004.024	SFV02020-1.8	32	20	3.175	46	74	13	70	59	46	6.6	11	6.5	M6	1.8x1	7640	17580	190
81.004.026	SFV02505-4.8		5	3.175	50	73	11	55	61	52	5.5	9.5	5.5	M8	4.8x1	20170	58840	560
81.004.027	SFV02506-4.8 #	25	6	3.969	53	76	11	62	64	58	5.5	9.5	5.5	M6	4.8x1	27110	72680	580
81.004.028	SFV02508-4.8 #		8	4.762	56	85	13	70	71	64	6.5	11	6.5	M6	4.8x1	34660	87760	610
81.004.029	SFV02510-2.7	32	10	6.35	68	102	15	70	84	82	9	14	8.5	M8	2.7x1	30400	65470	370
81.004.030	SFV02525-1.8		25	3.175	50	73	13	83	61	52	5.5	9.5	5.5	M8	1.8x1	8430	21990	220
81.004.031	SFV03204-4.8	40	4	2.381	54	81	12	50	67	64	6.6	11	6.5	M6	4.8x1	15170	58060	620
81.004.032	SFV03205-4.8		5	3.175	58	85	12	56	71	64	6.6	11	6.5	M8	4.8x1	22490	76120	660
81.004.033	SFV03206-4.8 #	50	6	3.969	62	89	12	60	75	68	6.6	11	6.5	M8	4.8x1	30790	95750	700
81.004.034	SFV03208-4.8 #		8	4.762	66	100	15	75	82	76	9	14	8.5	M8	4.8x1	39620	115470	740
81.004.035	SFV03210-4.8	63	10	6.35	74	108	15	96	90	82	9	14	9	M8	4.8x1	56200	146490	760
81.004.036	SFV03220-2.7 #		20	6.35	74	108	16	100	90	82	9	14	8.5	M8	2.7x1	35090	86440	460
81.004.038	SFV04005-4.8	40	5	3.175	67	101	15	59	83	72	9	14	8.5	M8	4.8x1	24680	95860	760
81.004.041	SFV04010-4.8		10	6.35	82	124	18	100	102	94	11	17.5	11	M8	4.8x1	63160	186000	900
81.004.042	SFV04020-2.7	50	20	6.35	82	124	18	100	102	90	11	17.5	11	M8	2.7x1	39350	108930	560
81.004.044	SFV05005-4.8		5	3.175	80	114	15	60	96	82	9	14	8.5	M8	4.8x1	26980	120530	870
81.004.045	SFV05010-4.8	63	10	6.35	93	135	16	93	113	98	11	17.5	11	M8	4.8x1	70230	235370	1060
81.004.047	SFV05020-2.7		20	9.525	105	152	28	121	128	110	14	20	13	M8	2.7x1	73360	197000	680
81.004.049	SFV06310-4.8	63	10	6.35	108	154	22	105	130	110	14	20	13	M8	4.8x1	78600	304300	1260
81.004.051	SFV06320-2.7		20	9.525	122	180	28	120	150	130	18	26	17.5	M8	2.7x1	81620	247410	800

Cod Code	Tip Type	d	l	Da	D	A	B	L	W	H	X	Y	Z	Q	n	Ca	Coa	K
Dreapta Right		(mm)														(N)		(N/μm)
81.004.052	SFV08010-4.8	80	10	6.35	130	176	22	105	152	132	14	20	13	M8	4.8x1	85930	383440	1450
81.004.053	SFV08020-4.8		20	9.525	143	204	28	180	172	148	18	26	18	M8	4.8x1	151030	572960	1680
81.004.054	SFV08020-7.6		20	9.525	143	204	28	240	172	148	18	26	18	M8	3.8x2	224230	907190	2600

⚠ Explicația antetului a se vedea la pagina 70 / Explanation of letterhead see on page 70
 Se va utiliza doar cu șurub SCR! / It shall be used with SCR screw!
 # - Doar pentru șurub rectificat / Only for ground ballscrew

În caz de comandă, vă rugăm specificați tipul de piluiță („A” sau „B”)
 When ordering please specify the type of nut („A” or „B” type)