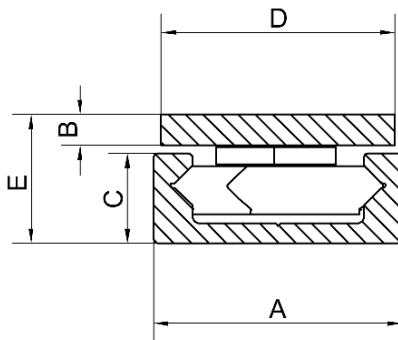
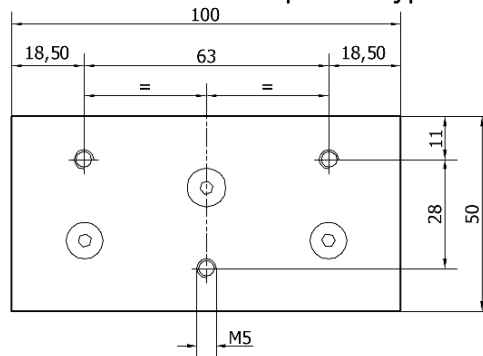


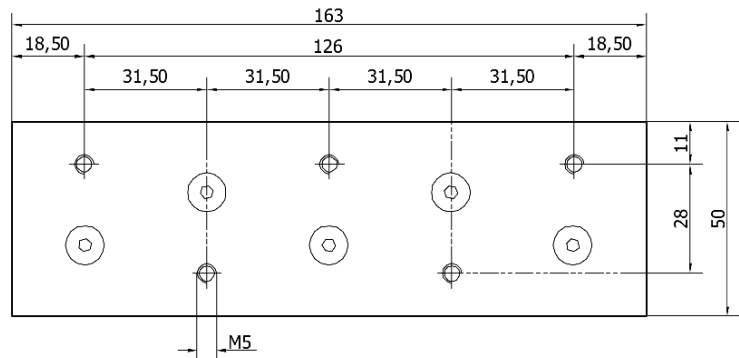
TIP RADIA R52  
RADIA R52 TYPE



Tip A / A type



Tip B / B type



Cod Code	Tip Type	Tipul saniei Type of block	A	B	C	D	E	Lungime max. Max length	Sarcina max. Max load	Material			
			(mm)							(N)	Rolă Roller	Ghidaj/Sanie Rail / Block	
<b>GHIDAJ / RAIL</b>													
84.090.001	R52-...	-	52	5	16	50	22	5000	-	-	Aluminium		
<b>SANIE / BLOCK</b>													
84.090.003	R52-A-AC	A	A se vedea dimensiunile pe desen The dimensions see on the drawing					-	280	Oțel / Steel		Aluminium	
84.090.004	R52-A-DEL	A						-		Delrin			
84.090.005	R52-B-AC	B						-	400		Oțel / Steel		
84.090.006	R52-B-DEL	B						-			Delrin		

Viteza maximă de funcționare: 200-300 mm/s  
Maximum working speed: 200-300 mm/s