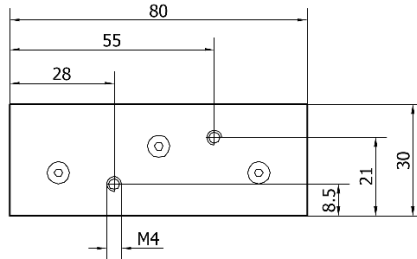




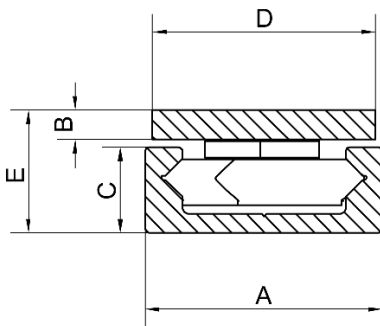
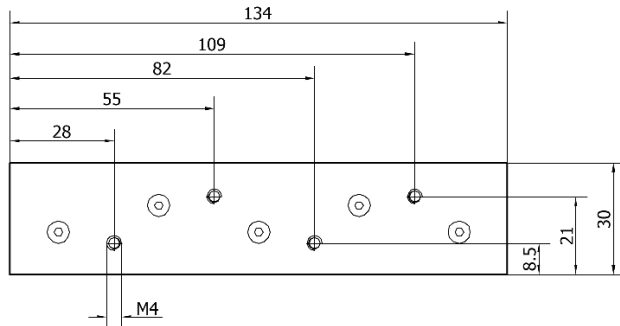
TIP RADIA R32
RADIA R32 TYPE



Tip A / A type



Tip B / B type



Cod Code	Tip Type	Tipul saniei Type of block	A	B	C	D	E	Lungime max. Max length	Sarcina max. Max load	Material		
			(mm)							(N)	Rolă Roller	Ghidaj/Sanie Rail / Block
GHIDAJ / RAIL												
84.089.001	R32-...	-	32	4	11,5	30	16,5	5000	-	-	Aluminiu Aluminium	
SANIE / BLOCK												
84.089.003	R32-A-AC	A	A se vedea dimensiunile pe desen The dimensions see on the drawing					-	90	Oțel / Steel		Aluminiu Aluminium
84.089.004	R32-A-DEL	A						Delrin				
84.089.005	R32-B-AC	B						140		Oțel / Steel		
84.089.006	R32-B-DEL	B								Delrin		

Viteza maximă de funcționare: 200-300 mm/s
Maximum working speed: 200-300 mm/s

