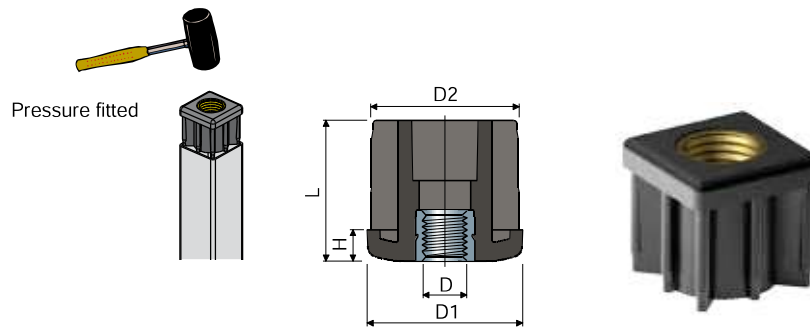


Threaded bushings

(for square tubes)



Part. **68**

Tube dimensions								Code	Max static load (N)
Outside (mm)	Thickness (mm)	Inside (mm)	Thread D	D1 (mm)	D2 (mm)	H (mm)	L (mm)		
20	1,5	17	M8	20	17	5	23	68 / 7758	4500
	2	16	M8	20	16	5	23	68 / 83927	4500
25	1,5	22	M8	25	22	6	26	68 / 7807	4500
			M10	25	22	6	26	68 / 7808	5000
	2	21	M12	25	22	6	26	68 / 7809	5500
			M8	25	21	6	26	68 / 83928	4500
30	1,5	27	M10	25	21	6	26	68 / 83929	5000
			M12	25	21	6	26	68 / 85157	5500
			M8	30	27	6	31	68 / 7936	4500
			M10	30	27	6	31	68 / 7232	5000
	2	26	M12	30	27	6	31	68 / 7233	5500
			M14	30	27	6	31	68 / 7234	6000
			M16	30	27	6	31	68 / 7235	6500
			M8	30	26	6	31	68 / 81031	4500
35	1,5	32	M10	30	26	6	31	68 / 7817	5000
			M12	30	26	6	31	68 / 7818	5500
			M14	30	26	6	31	68 / 80913	6000
			M16	30	26	6	31	68 / 80914	6500
			M8	35	32	8	38	68 / 7937	6500
			M10	35	32	8	38	68 / 7236	7000
	2	31	M12	35	32	8	38	68 / 7237	7500
			M14	35	32	8	38	68 / 7238	8000
			M16	35	32	8	38	68 / 7239	8500
			M20	35	32	8	38	68 / 7240	9000
			M8	35	31	8	38	68 / 80163	6500
			M10	35	31	8	38	68 / 80036	7000
40	1,2	37,6	M12	35	31	8	38	68 / 80164	7500
			M14	35	31	8	38	68 / 80165	8000
			M16	35	31	8	38	68 / 80172	8500
			M20	35	31	8	38	68 / 80173	9000
			M8	40	37,6	8	38	68 / 80714	7000
	1,5	37	M10	40	37,6	8	38	68 / 80715	7500
			M12	40	37,6	8	38	68 / 80716	8000
			M14	40	37,6	8	38	68 / 80717	8500
			M16	40	37,6	8	38	68 / 80546	9000
			M20	40	37,6	8	38	68 / 80718	9500
2	36	35	M8	40	37	8	38	68 / 7938	7000
			M10	40	37	8	38	68 / 7241	7500
			M12	40	37	8	38	68 / 7242	8000
			M14	40	37	8	38	68 / 7243	8500
			M16	40	37	8	38	68 / 7244	9000
	2,5	35	M20	40	37	8	38	68 / 7245	9500
			M8	40	36	8	38	68 / 7939	7000
			M10	40	36	8	38	68 / 7246	7500
			M12	40	36	8	38	68 / 7247	8000
			M14	40	36	8	38	68 / 7248	8500
2,5	35	M16	40	36	8	38	68 / 7249	9000	
		M20	40	36	8	38	68 / 7250	9500	
		M8	40	35	8	38	68 / 80915	7000	
		M10	40	35	8	38	68 / 80916	7500	
		M12	40	35	8	38	68 / 80917	8000	
2,5	35	M14	40	35	8	38	68 / 80918	8500	
		M16	40	35	8	38	68 / 80919	9000	
		M20	40	35	8	38	68 / 80920	9500	

Threaded bushings

(for square tubes)

Part. 68

Tube dimensions								Code	Max static load (N)
Outside (mm)	Thickness (mm)	Inside (mm)	Thread D	D1 (mm)	D2 (mm)	H (mm)	L (mm)		
40	3	34	M8	40	34	8	38	68 / 85158	7000
			M10	40	34	8	38	68 / 83930	7500
			M12	40	34	8	38	68 / 83931	8000
			M14	40	34	8	38	68 / 85090	8500
			M16	40	34	8	38	68 / 85091	9000
			M20	40	34	8	38	68 / 85092	9500
45	2	41	M8	45	41	8	38	68 / 82118	7000
			M10	45	41	8	38	68 / 82119	7500
			M12	45	41	8	38	68 / 82120	8000
			M14	45	41	8	38	68 / 82121	8500
			M16	45	41	8	38	68 / 82122	9000
			M20	45	41	8	38	68 / 82123	9500
45	3	39	M8	45	39	8	38	68 / 85159	7000
			M10	45	39	8	38	68 / 85160	7500
			M12	45	39	8	38	68 / 83932	8000
			M14	45	39	8	38	68 / 85161	8500
			M16	45	39	8	38	68 / 83933	9000
			M20	45	39	8	38	68 / 85162	9500
50	1,2	47,6	M8	50	47,6	10	45	68 / 80921	7000
			M10	50	47,6	10	45	68 / 80922	7500
			M12	50	47,6	10	45	68 / 80923	8000
			M14	50	47,6	10	45	68 / 80924	8500
			M16	50	47,6	10	45	68 / 80925	9000
			M20	50	47,6	10	45	68 / 80926	9500
50	1,5	47	M8	50	47	10	45	68 / 7940	7000
			M10	50	47	10	45	68 / 7624	7500
			M12	50	47	10	45	68 / 7251	8000
			M14	50	47	10	45	68 / 7252	8500
			M16	50	47	10	45	68 / 7253	9000
			M20	50	47	10	45	68 / 7254	9500
50	2	46	M8	50	46	10	45	68 / 7941	7000
			M10	50	46	10	45	68 / 7625	7500
			M12	50	46	10	45	68 / 7255	8000
			M14	50	46	10	45	68 / 7256	8500
			M16	50	46	10	45	68 / 7257	9000
			M20	50	46	10	45	68 / 7258	9500
50	2,5	45	M8	50	45	10	45	68 / 7942	7000
			M10	50	45	10	45	68 / 7626	7500
			M12	50	45	10	45	68 / 7259	8000
			M14	50	45	10	45	68 / 7260	8500
			M16	50	45	10	45	68 / 7261	9000
			M20	50	45	10	45	68 / 7262	9500
60	3	44	M8	50	44	10	45	68 / 82080	7000
			M10	50	44	10	45	68 / 80927	7500
			M12	50	44	10	45	68 / 80928	8000
			M14	50	44	10	45	68 / 80929	8500
			M16	50	44	10	45	68 / 80930	9000
			M20	50	44	10	45	68 / 80931	9500
60	2	56	M8	60	56	10	45	68 / 81032	7000
			M10	60	56	10	45	68 / 80932	7500
			M12	60	56	10	45	68 / 80933	8000
			M14	60	56	10	45	68 / 80934	8500
			M16	60	56	10	45	68 / 80935	9000
			M20	60	56	10	45	68 / 80936	9500
60	3	54	M8	60	54	10	45	68 / 82081	7000
			M10	60	54	10	45	68 / 80937	7500
			M12	60	54	10	45	68 / 80938	8000
			M14	60	54	10	45	68 / 80939	8500
			M16	60	54	10	45	68 / 80940	9000
			M20	60	54	10	45	68 / 80941	9500
80	3	74	M14	80	74	10	45	68 / 85163	8500
			M16	80	74	10	45	68 / 82082	9000
			M20	80	74	10	45	68 / 82013	9500

Material: Bush in reinforced polyamide black colour; threaded insert in brass.

Box quantity: 24 pieces.

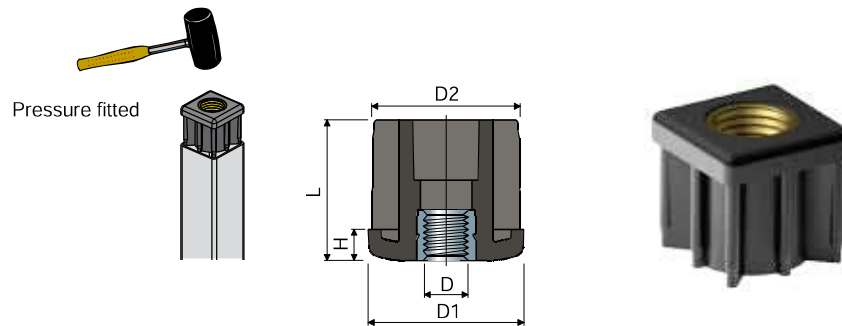
On request

- Bushes: With different thicknesses and colours.
- Threaded insert: In nickel plated brass.
- Box quantity: According to your request.

Threaded bushings

(for square tubes: sizes and threads in Inches)

Part. **68**



Tube dimensions										Code	Max static load (N)	
Outside (inches)	Outside (mm)	Thickness (inches)	Thickness (mm)	Inside (mm)	Thread D (UNC)	Thread D (mm)	D1 (mm)	D2 (mm)	H (mm)			L (mm)
1" 1/2	(38,1)	0,065"	(1,65)	34,8	3/8"-16	(9,52)	38	34,8	8	38	68 / 82707	5000
					1/2"-13	(12,7)	38	34,8	8	38	68 / 82708	5000
					5/8"-11	(15,87)	38	34,8	8	38	68 / 82709	6500
					3/4"-10	(19,05)	38	34,8	8	38	68 / 82710	9000
		0,12"	(3,05)	32	3/8"-16	(9,52)	38	32	8	38	68 / 82711	5000
					1/2"-13	(12,7)	38	32	8	38	68 / 82712	5000
					5/8"-11	(15,87)	38	32	8	38	68 / 82713	6500
					3/4"-10	(19,05)	38	32	8	38	68 / 82714	9000
2"	(50,8)	0,065"	(1,65)	47,5	3/8"-16	(9,52)	50,6	47,5	10	45	68 / 82715	5000
					1/2"-13	(12,7)	50,6	47,5	10	45	68 / 82716	5000
					5/8"-11	(15,87)	50,6	47,5	10	45	68 / 82717	6500
					3/4"-10	(19,05)	50,6	47,5	10	45	68 / 82718	9000
		0,109"	(2,77)	45,26	3/8"-16	(9,52)	50,6	45,26	10	45	68 / 82719	5000
					1/2"-13	(12,7)	50,6	45,26	10	45	68 / 82720	5000
					5/8"-11	(15,87)	50,6	45,26	10	45	68 / 82721	6500
					3/4"-10	(19,05)	50,6	45,26	10	45	68 / 82722	9000
		0,12"	(3,05)	44,7	3/8"-16	(9,52)	50,6	44,7	10	45	68 / 82726	5000
					1/2"-13	(12,7)	50,6	44,7	10	45	68 / 82727	5000
					5/8"-11	(15,87)	50,6	44,7	10	45	68 / 82728	6500
					3/4"-10	(19,05)	50,6	44,7	10	45	68 / 82729	9000

Material: Bush in reinforced polyamide black colour; threaded insert in brass.

Box quantity: 24 pieces.

On request

- Bushes: With different thicknesses and colours.
- Threaded insert: In nickel plated brass.
- Box quantity: According to your request.