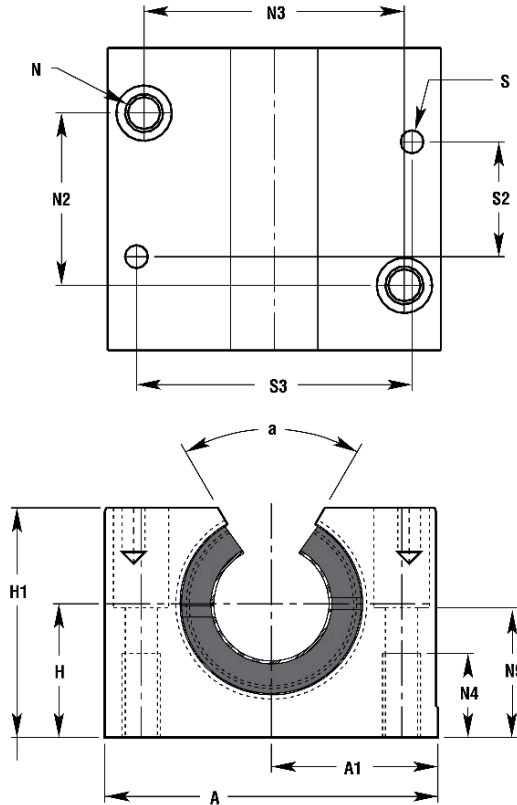
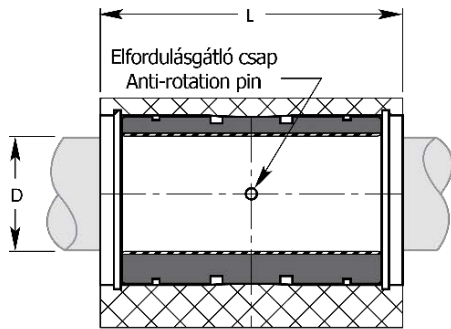


PMN / PMNC
PMN / PMNC TYPE



| Cod Code | Tip Type | D | H | H1 | A | A1 | L | N | N2 | N3 | N4 | N5 | S | S2 | S3 | a | Sarcină Load (N) | Greutate Weight (kg) | |
|---|----------|----|----|----|-----|------|-----|----------|-------|-------|----|------|----|----|-----|--------|------------------|----------------------|------|
| | | | | | | | | | | | | | | | | | | | (mm) |
| PMN - seria de precizie / precision series | | | | | | | | | | | | | | | | | | | |
| 84.044.005 | PMN 12 | 12 | 18 | 28 | 43 | 21,5 | 39 | M5x0,8 | 23,15 | 32,15 | 11 | 16,5 | 4 | 32 | 34 | 66 | 7907 | 0,096 | |
| 84.044.007 | PMN 16 | 16 | 22 | 35 | 53 | 26,5 | 43 | M6x1 | 26,15 | 40,15 | 13 | 21 | 4 | 35 | 42 | 68 | 11870 | 0,162 | |
| 84.044.009 | PMN 20 | 20 | 25 | 42 | 60 | 30 | 54 | M8x1,25 | 32,15 | 45,15 | 18 | 24 | 5 | 45 | 50 | 60 | 18541 | 0,267 | |
| 84.044.011 | PMN 25 | 25 | 30 | 51 | 78 | 39 | 67 | M10x1,5 | 40,15 | 60,15 | 20 | 29 | 6 | 20 | 64 | | 29881 | 0,536 | |
| 84.044.013 | PMN 30 | 30 | 35 | 60 | 87 | 43,5 | 79 | | 45,15 | 68,15 | 22 | 34 | | 30 | 72 | | 42026 | 0,831 | |
| 84.044.015 | PMN 40 | 40 | 45 | 77 | 108 | 54 | 91 | M12x1,75 | 58,15 | 86,15 | 26 | 44 | 8 | 35 | 90 | | 65923 | 1,499 | |
| 84.044.016 | PMN 50 | 50 | 50 | 88 | 132 | 66 | 113 | M16x2 | 50,2 | 108,2 | 34 | 49 | 10 | 42 | 108 | 103005 | 2,539 | | |
| PMNC - seria compensată / compensated series | | | | | | | | | | | | | | | | | | | |
| 84.054.005 | PMN 12C | 12 | 18 | 28 | 43 | 21,5 | 39 | M5x0,8 | 23,15 | 32,15 | 11 | 16,5 | 4 | 32 | 34 | 66 | 7907 | 0,096 | |
| 84.054.007 | PMN 16C | 16 | 22 | 35 | 53 | 26,5 | 43 | M6x1 | 26,15 | 40,15 | 13 | 21 | 4 | 35 | 42 | 68 | 11870 | 0,162 | |
| 84.054.009 | PMN 20C | 20 | 25 | 42 | 60 | 30 | 54 | M8x1,25 | 32,15 | 45,15 | 18 | 24 | 5 | 45 | 50 | 60 | 18541 | 0,267 | |
| 84.054.011 | PMN 25C | 25 | 30 | 51 | 78 | 39 | 67 | M10x1,5 | 40,15 | 60,15 | 20 | 29 | 6 | 20 | 64 | | 29881 | 0,536 | |
| 84.054.013 | PMN 30C | 30 | 35 | 60 | 87 | 43,5 | 79 | | 45,15 | 68,15 | 22 | 34 | | 30 | 72 | | 42026 | 0,831 | |
| 84.054.015 | PMN 40C | 40 | 45 | 77 | 108 | 54 | 91 | M12x1,75 | 58,15 | 86,15 | 26 | 44 | 8 | 35 | 90 | | 65923 | 1,499 | |
| 84.054.016 | PMN 50C | 50 | 50 | 88 | 132 | 66 | 113 | M16x2 | 50,2 | 108,2 | 34 | 49 | 10 | 42 | 108 | 103005 | 2,539 | | |