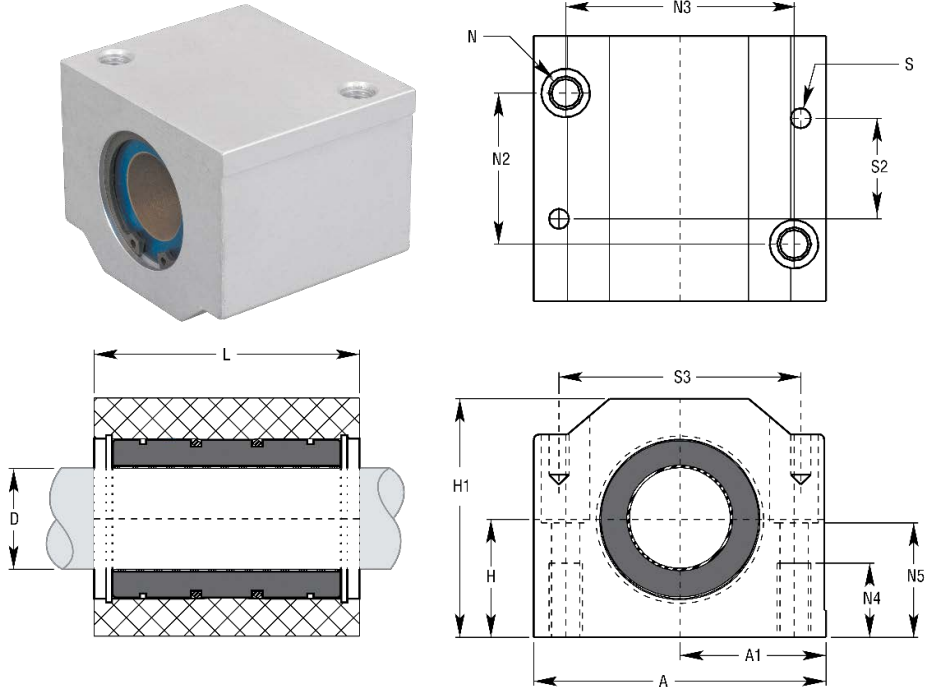


TIP PM / PMC
PM / PMC TYPE



Cod Code	Tip Type	D	H	H1	A	A1	L	N	N2	N3	N4	N5	S	S2	S3	Sarcină Load (N)	Greutate Weight (kg)
PM - seria de precizie / precision series																	
84.039.003	PM 8	8	15	28	35	17,5	32	M4x0,7	20,15	25,15	9	14,5	-	-	-	4120	0,069
84.039.004	PM 10	10	16	31,5	40	20	36	M5x0,8		29,15	11	15	16,5	4	32	34	5984
84.039.005	PM 12	12	18	35	43	21,5	39		23,15	32,15		29					31
84.039.007	PM 16	16	22	42	53	26,5	43	M6x1	26,15	40,15	13	21	6	35	42	11870	0,2
84.039.009	PM 20	20	25	50	59,3	30	54	M8x1,25	32,15	45,15	18	24				5	45
84.039.011	PM 25	25	30	60	78	39	67	M10x1,5	40,15	60,15	22	29	6	20	64	29881	0,655
84.039.013	PM 30	30	35	71	87	43,5	79		45,15	68,15		34				30	72
84.039.015	PM 40	40	45	91	108	54	91	M12x1,75	58,15	86,15	26	44	8	35	90	65923	1,846
84.039.016	PM 50	50	50	105	132	66	113	M16x2	50,2	108,2	34	49	10	42	108	103005	3,169
PMC - seria compensată / compensated series																	
84.056.003	PM 8C	8	15	28	35	17,5	32	M4x0,7	20,15	25,15	9	14,5	-	-	-	4120	0,069
84.056.004	PM 10C	10	16	31,5	40	20	36	M5x0,8		29,15	11	15	16,5	4	29	31	5984
84.056.005	PM 12C	12	18	35	43	21,5	39		23,15	32,15		29					31
84.056.007	PM 16C	16	22	42	53	26,5	43	M6x1	26,15	40,15	13	21	6	35	42	11870	0,2
84.056.009	PM 20C	20	25	50	59,3	30	54	M8x1,25	32,15	45,15	18	24				5	45
84.056.011	PM 25C	25	30	60	78	39	67	M10x1,5	40,15	60,15	22	29	6	20	64	29881	0,655
84.056.013	PM 30C	30	35	71	87	43,5	79		45,15	68,15		34				30	72
84.056.015	PM 40C	40	45	91	108	54	91	M12x1,75	58,15	86,15	26	44	8	35	90	65923	1,846
84.056.016	PM 50C	50	50	105	132	66	113	M16x2	50,2	108,2	34	49	10	42	108	103005	3,169