

STEEL TURNED THREADED STUD WITH BALL JOINT AND WITH WRENCH SEAT

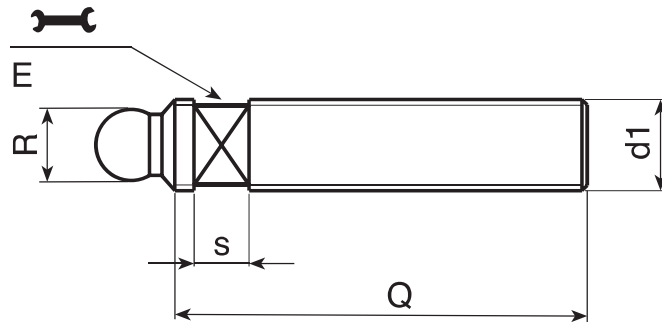
Material: Automatic steel.

Surface: Blue zinc plated.

Thread: Thread with 6g tolerance.

SPECIAL REQUESTS:

- It is possible to supply the inserts with different lengths or different design, on request and for quantities.



Version M16 with ball joint R 12,4

Art.	E	s	R	d1	Q	g
PEP.VZTM16X..Z3	13	7	12,4	M16	50-70-90-110-130-150-170	72-98-124-150-176-202-228

Enter the stud length choice in the two .. of the article code. Lengths by request with 100 pieces minimum quantity.

These studs are compatible with the following foot bases: • PIE.040S12,4 • PIE.050S12,4 • PIE.060S12,4 • PIE.080S12,4

Version M20-M24 with ball joint R 15

Art.	E	s	R	d1	Q	g
PEP.VZTM20X..Z3	16	7	15	M20	50-70-90-110-130-150-170-190-210	142-174-206-238-270-305-337-370-405
PEP.VZTM24X..Z3	19	7	15	M24	70-90-110-130-150-170-190-210	270-330-390-450-510-570-630-690

Enter the stud length choice in the two .. of the article code. Lengths by request with 100 pieces minimum quantity.

These studs are compatible with the following foot bases: • PIE.060S15 • PIE.080S15 • PIE.105S15 • PIE.130S15

Version M24-M30 with ball joint R 24

Art.	E	s	R	d1	Q	g
PEP.VZTM24X..Z5	19	10	24	M24	70-90-110-130-150-170	270-330-390-450-510-570
● PEP.VZTM30X..Z5	27	12	24	M30	90-110-130-150-170-190-210	461-550-637-725-813-900-990

Enter the stud length choice in the two .. of the article code. Lengths by request with 100 pieces minimum quantity.

These studs are compatible with the following foot bases: • PIE.080S24 • PIE.105S24 • PIE.130S24