

# O400



## HINGE WITH PLASTIC RIGHT THROUGH HOLES

### Material:

Reinforced polyamide.  
Oils and greases resistant.

### Surface:

Satin.

### Colour:

Black (RAL 9011).

### Insert:

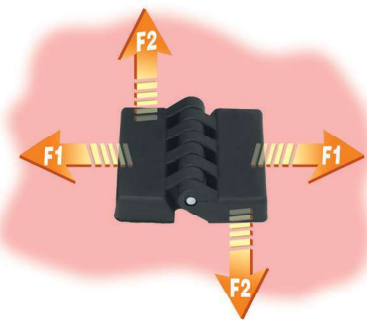
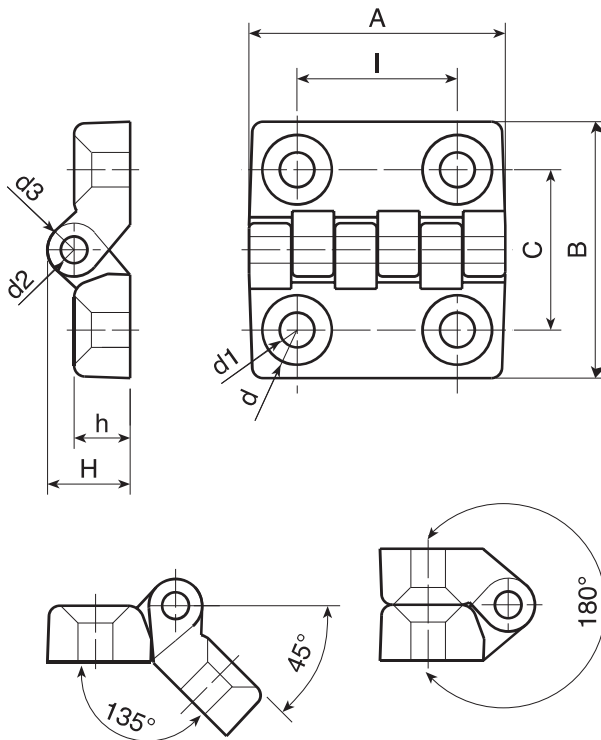
Zinc plated steel pin.

### Hole:

Right through smooth hole obtained by moulding the plastic. Seat for countersunk screws DIN 7991 or UNI 5993.

### SPECIAL REQUEST:

- It is possible to supply colours as shown in the table at pag. O-19, on request and for quantities.



	art.	I	C	A	B	h	H	d	d2	d3	d1	$\Delta$ g	F1 (N)	F2 (N)
●	O40020.TG04,501	20	20	32	32	7	10,5	8	3	7	4,5	9	1440	490
●	O40030.TG06,501	30	30	48	48	10,5	15,5	13	5	10	6,5	27	1960	1470
●	O40040.TG06,501	40	40	64	64	13	19	13	5	12	6,5	53	2850	1520
●	O40060.TG08,501	60	63	96	96	16	24	16	8	16	8,5	152	4300	1810
●	O40060.TG10,501	60	63	96	96	16	24	20	8	16	10,5	152	4300	1810

# HINGE WITH PLASTIC RIGHT THROUGH HOLES AND STAINLESS STEEL PIN

## O401

+135°  
-20°

PA6  
+GF

UL94  
HB

RoHS  
2011/65/EU

### INOX

#### Material:

Reinforced polyamide.  
Oils and greases resistant.

#### Surface:

Satin.

#### Colour:

Black (RAL 9011).

#### Insert:

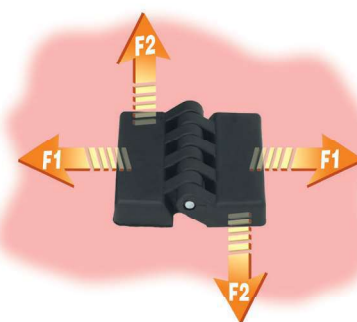
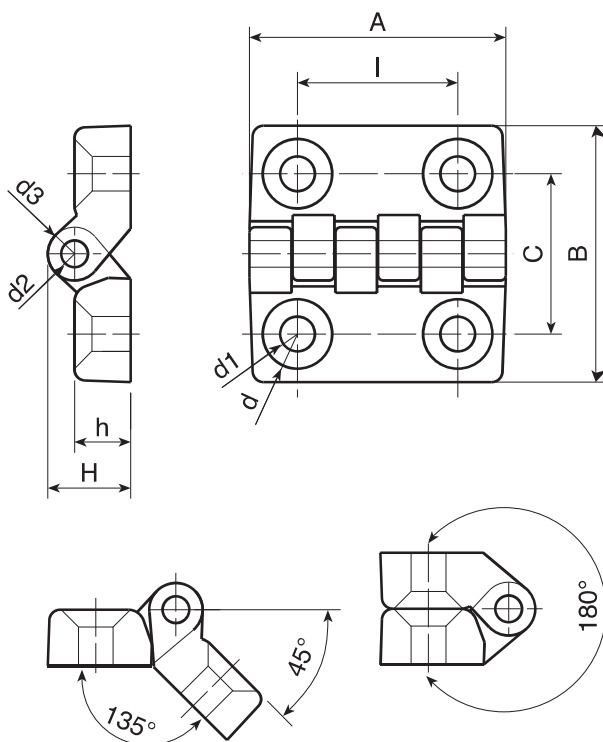
Stainless steel pin (AISI 303).

#### Hole:

Right through smooth hole obtained by moulding the plastic. Seat for countersunk screws DIN 7991 or UNI 5993.

#### SPECIAL REQUEST:

- It is possible to supply colours as shown in the table at pag. O-19, on request and for quantities.



art.	I	C	A	B	h	H	d	d2	d3	d1	g	F1 (N)	F2 (N)
● O40120.TG04,501	20	20	32	32	7	10,5	8	3	7	4,5	9	1440	490
● O40130.TG06,501	30	30	48	48	10,5	15,5	13	5	10	6,5	27	1960	1470
● O40140.TG06,501	40	40	64	64	13	19	13	5	12	6,5	53	2850	1520
● O40160.TG08,501	60	63	96	96	16	24	16	8	16	8,5	152	4300	1810
● O40160.TG10,501	60	63	96	96	16	24	20	8	16	10,5	152	4300	1810

Presumable presence in the stock in %

( ) 90% (●) 40% (●) 5% (●) |

BOTECO® - © All right reserved - www.boteco.it

Any unauthorized reproduction is strictly forbidden



BOTECO®