

FLAT HINGE WITH THREADED STUDS

0431



Material:

Reinforced polyamide.
Oils and greases resistant.

Surface:

Satin.

Colour:

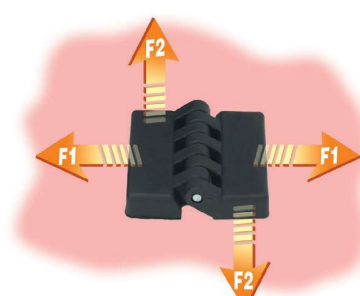
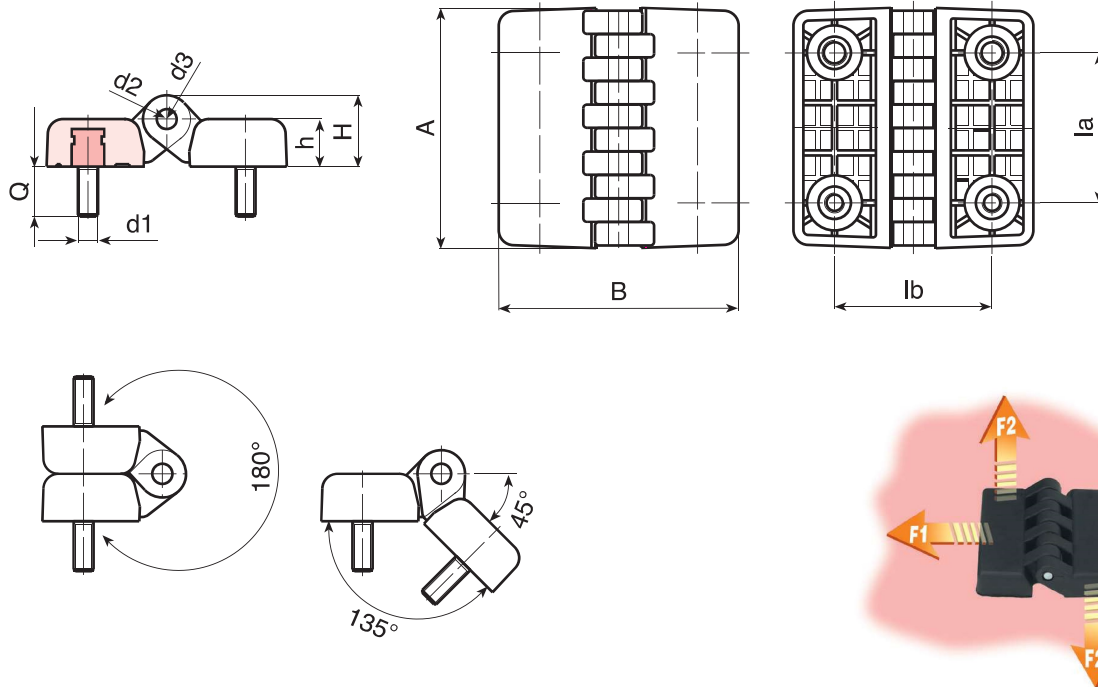
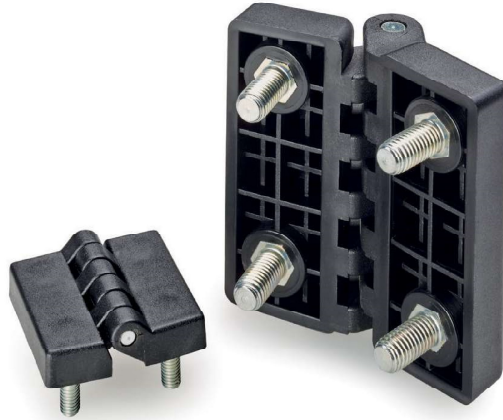
Black (RAL 9011).

Inserts:

- Zinc plated steel pin.
- Zinc plated steel threaded stud (tolerance 6g).

SPECIAL REQUESTS:

- It is possible to supply inserts in different materials, on request and for quantities.
- It is possible to supply colours as shown in the table on page O-19, on request and for quantities.



	art.	la	lb	A	B	h	H	d2	d3	d1 6g	Q	g	F1 (N)	F2 (N)
●	043130.TM05X1501	30	30	48	48	10,5	15,5	5	10	M05	15	49	1780	1370
●	043130.TM06X1501	30	30	48	48	10,5	15,5	5	10	M06	15	52	1780	1370
●	043140.TM06X2001	40	40	64	64	13	19	5	12	M06	20	90	4120	1760
●	043140.TM08X2001	40	40	64	64	13	19	5	12	M08	20	100	4120	1760
●	043160.TM08X2001	60	63	95	95	19	28,5	8	18	M08	20	260	4900	1275
●	043160.TM10X2001	60	63	95	95	19	28,5	8	18	M10	20	278	4900	1275

Presumable presence in the stock in %

() 90% () 40% () 5% ()

BOTECO® - © All right reserved - www.boteco.it
Any unauthorized reproduction is strictly forbidden



BOTECO