

# O430



## FLAT HINGE WITH THREADED FEMALE INSERTS

### Material:

Reinforced polyamide.  
Oils and greases resistant.

### Surface:

Satin.

### Colour:

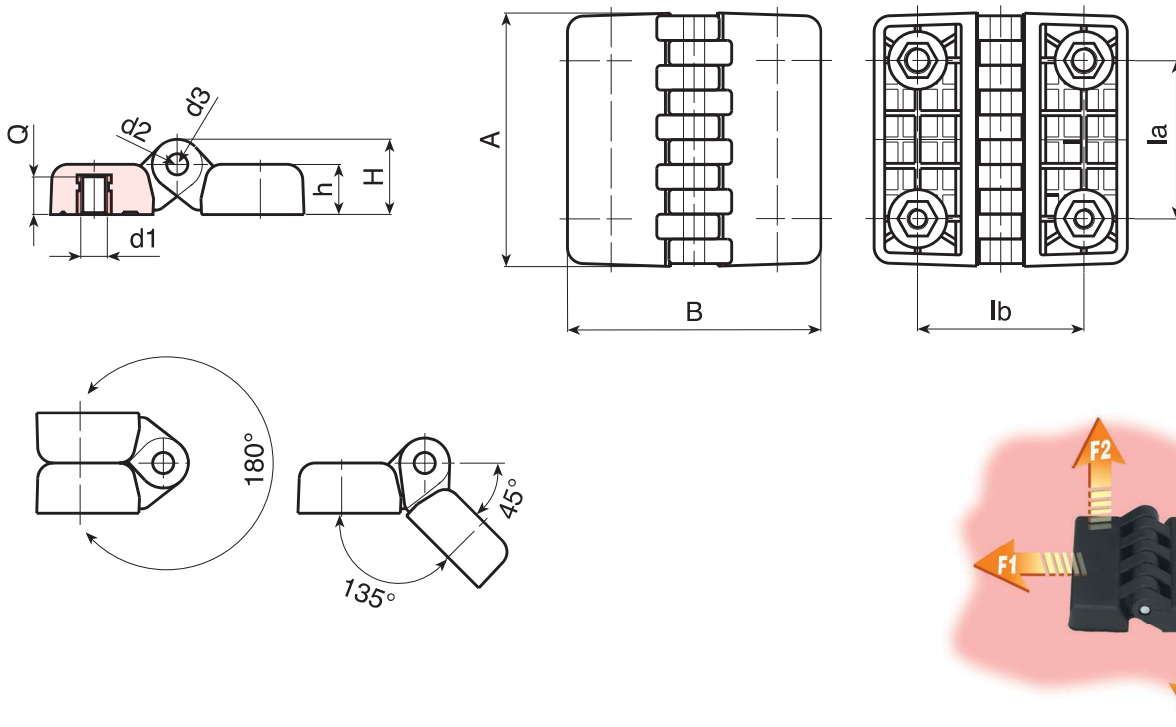
Black (RAL 9011).

### Inserts:

- Zinc plated steel pin.
- Brass blind threaded bush (tolerance 6H).

### SPECIAL REQUESTS:

- It is possible to supply inserts in different materials, on request and for quantities.
- It is possible to supply colours as shown in the table on page O-19, on request and for quantities.



	art.	la	lb	A	B	h	H	d2	d3	d1 6H	Q	g	F1 (N)	F2 (N)
●	O43030.TM0501	30	30	48	48	10,5	15,5	5	10	M05	7	35	2000	1370
●	O43030.TM0601	30	30	48	48	10,5	15,5	5	10	M06	7	35	2000	1370
●	O43040.TM0601	40	40	64	64	13	19	5	12	M06	9	67	4100	1800
●	O43040.TM0801	40	40	64	64	13	19	5	12	M08	9	65	4100	1800
●	O43060.TM0801	60	63	95	95	19	28,5	8	18	M08	13	226	2450	2650
●	O43060.TM1001	60	63	95	95	19	28,5	8	18	M10	13	228	2450	2650