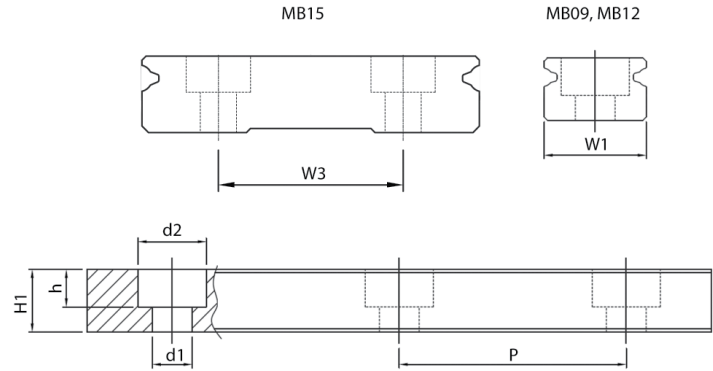
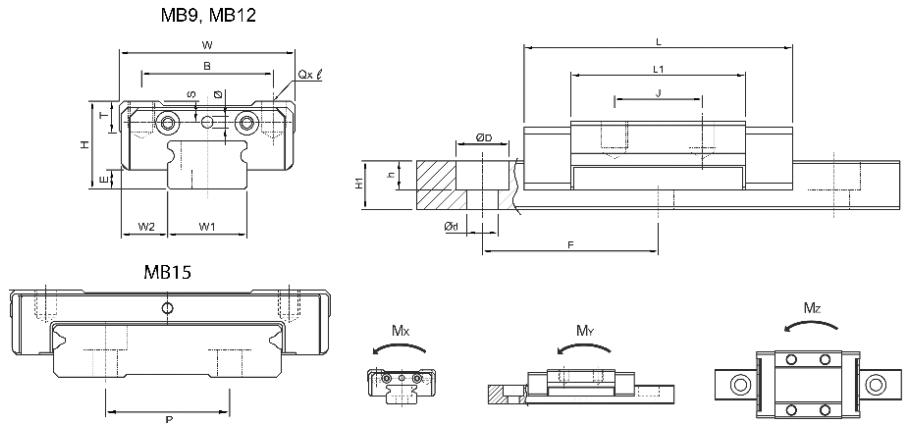


TIP MB MB TYPE



| Cod Code | Tip Type | W1 | H1 | P | W3 | d2 | d1 | h | Lungime max. Max. length | Greutate Weight |
|------------|----------|----|----|----|----|----|-----|-----|-----------------------------|--------------------|
| | | | | | | | | | | |
| 83.060.002 | MB09-N | 18 | 7 | 30 | - | 6 | 3,5 | 4,5 | 1000 | 0,912 |
| 83.060.003 | MB12-N | 24 | 8 | 40 | - | 8 | 4,5 | 4,5 | 1000 | 1,369 |
| 83.060.004 | MB15-N | 42 | 10 | 40 | 23 | 8 | 4,5 | 4,5 | 1000 | 2,886 |

N: precizie standard standard accuracy
Material: oțel inoxidabil Material: stainless steel



| Cod Code | Tip Type | Dimensiuni / Sizes | | | | | | | | | | Sarcină Load | | Moment static Static moment | | | Greutate Weight |
|------------|----------|--------------------|----|---|----|----|----|------|------|--------|---|--------------|--------|-----------------------------|-------|-------|-----------------|
| | | H | W2 | E | W | B | J | L | L1 | Qxl | Ø | C | Co | Mx | My | Mz | |
| N-G1 | | (mm) | | | | | | | | | | (kN) | | (kNm) | | | (kg) |
| 83.059.003 | MB9N | 12 | 6 | 3 | 30 | 21 | 12 | 40,2 | 28,6 | M3x3 | - | 2,197 | 3,606 | 0,33 | 0,018 | 0,018 | 0,040 |
| 83.059.004 | MB9L | 12 | 6 | 3 | 30 | 23 | 24 | 52 | 40,4 | M3x3 | - | 2,878 | 5,303 | 0,48 | 0,038 | 0,038 | 0,055 |
| 83.059.005 | MB12N | 14 | 8 | 3 | 40 | 28 | 15 | 44,5 | 30,9 | M3x3,5 | - | 4,015 | 5,723 | 0,07 | 0,031 | 0,031 | 0,068 |
| 83.059.006 | MB12L | 14 | 8 | 3 | 40 | 28 | 28 | 59,7 | 46,1 | M3x3,5 | - | 5,539 | 9,062 | 0,111 | 0,074 | 0,074 | 0,099 |
| 83.059.007 | MB15N | 16 | 9 | 4 | 60 | 45 | 20 | 56,6 | 39 | M3x4,5 | - | 6,579 | 9,085 | 0,193 | 0,062 | 0,062 | 0,126 |
| 83.059.008 | MB15L | 16 | 9 | 4 | 60 | 45 | 35 | 75,8 | 58,2 | M3x4,5 | - | 9,076 | 14,384 | 0,305 | 0,147 | 0,147 | 0,184 |

N-G1: precizie standard cu preîncărcare ușoară standard accuracy with light preload
Material: oțel inoxidabil Material: stainless steel