

M138

HANDLE WITH THREADED HOLE



Material:

Reinforced polyamide.
Oils and greases resistant.

Surface:

Satin.

Colour:

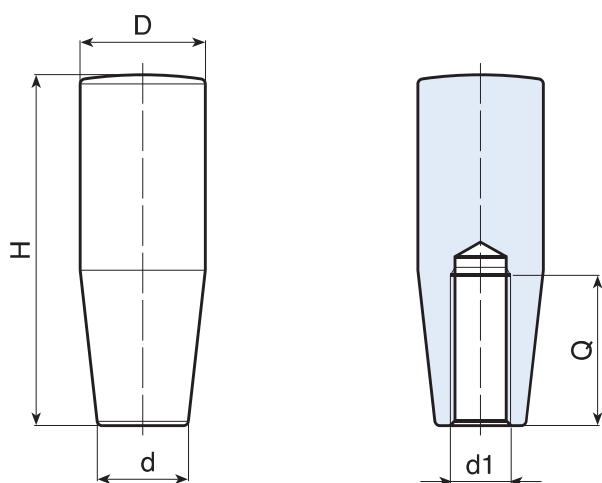
Black (RAL 9011).

Hole:

Female threaded blind hole obtained by moulding the plastic. (tolerance in not applicable).

SPECIAL REQUEST:

- It is possible to supply colours as shown in the table at pag. M-27, on request and for quantities.



| SSS/ | art. | H | D | d | d1 | Q | g |
|------|----------------|-----|----|----|-----|----|-----|
| ● | M13827.TM0401 | 27 | 14 | 10 | M04 | 20 | 6 |
| ● | M13827.TM0501 | 27 | 14 | 10 | M05 | 20 | 5 |
| ● | M13827.TM0601 | 27 | 14 | 10 | M06 | 20 | 5 |
| ● | M13840.TM0501 | 40 | 18 | 16 | M05 | 20 | 10 |
| ● | M13840.TM0601 | 40 | 18 | 16 | M06 | 27 | 10 |
| ● | M13840.TM0801 | 40 | 18 | 16 | M08 | 27 | 10 |
| ● | M13850.TM0601 | 50 | 20 | 15 | M06 | 24 | 16 |
| ● | M13850.TM0801 | 50 | 20 | 15 | M08 | 23 | 14 |
| ● | M13850.TM1001 | 50 | 20 | 15 | M10 | 25 | 14 |
| ● | M13860.TM0801 | 60 | 23 | 18 | M08 | 30 | 24 |
| ● | M13860.TM1001 | 60 | 23 | 18 | M10 | 30 | 24 |
| ● | M13860.TM1201 | 60 | 23 | 18 | M12 | 29 | 22 |
| ● | M13870.TM0801 | 70 | 25 | 19 | M08 | 30 | 34 |
| ● | M13870.TM1001 | 70 | 25 | 19 | M10 | 30 | 32 |
| ● | M13870.TM1201 | 70 | 25 | 19 | M12 | 31 | 28 |
| ● | M13880.TM0801 | 80 | 26 | 21 | M08 | 31 | 40 |
| ● | M13880.TM1001 | 80 | 26 | 21 | M10 | 31 | 38 |
| ● | M13880.TM1201 | 80 | 26 | 21 | M12 | 37 | 36 |
| ● | M13880.TM1401 | 80 | 26 | 21 | M14 | 40 | 34 |
| ● | M13890.TM0801 | 90 | 27 | 22 | M08 | 30 | 58 |
| ● | M13890.TM1001 | 90 | 27 | 22 | M10 | 31 | 54 |
| ● | M13890.TM1201 | 90 | 27 | 22 | M12 | 37 | 50 |
| ● | M13890.TM1401 | 90 | 27 | 22 | M14 | 40 | 46 |
| ● | M138110.TM1001 | 109 | 32 | 27 | M10 | 31 | 105 |
| ● | M138110.TM1201 | 109 | 32 | 27 | M12 | 50 | 104 |
| ● | M138110.TM1401 | 109 | 32 | 27 | M14 | 50 | 100 |

