

# M136 - M136CIN



# BLACK-OXIDE STEEL AND STAINLESS STEEL REVOLVING AND FOLDING HANDLE

## Material:

Reinforced polyamide.  
Oils and greases resistant.

## Surface:

Satin.

## Colour:

Black (RAL 9011).

## Inserts:

### M136

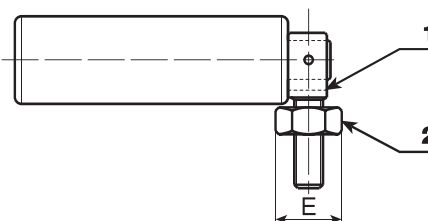
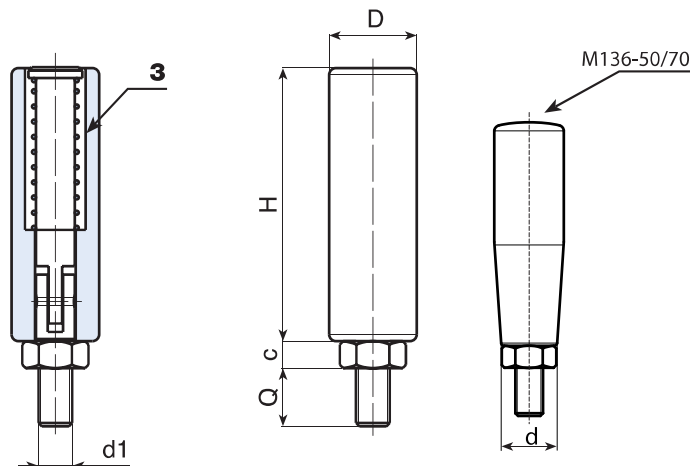
- (1) Black-oxide treated steel revolving and folding mechanism with head for screwdriver fitting.
- (2) Black-oxide treated steel nut DIN 934.
- (3) Zinc-plated steel spring.

### M136 CIN

- (1) Stainless steel revolving and folding mechanism (AISI 303) with head for screwdriver fitting.
- (2) Stainless steel nut (AISI 304) DIN 934.
- (3) Stainless steel spring.

## SPECIAL REQUEST:

- It is possible to supply the inserts with a zinc-plated complete treatment, ( just add CVZ letters on the end of standard code for black-oxide).
- It is possible to supply colours as shown in the table at pag. M-27, on request and for quantities.



## Version M136 - Black-oxide version

art.	H	D	d	E	c	d1 6g	Q	ΔΔ g	F1 (N)
M13650.TM06X0901	49	20	15	10	5	M06	9	39	270
M13670.TM08X1001	69	25	19	13	6,5	M08	10	71	840
M13682.TM10X1501	81	26	-	17	8	M10	15	152	1700
M13690.TM10X1501	89	26	-	17	8	M10	15	160	2700

## Version M136 CIN - Stainless steel version

art.	H	D	d	E	c	d1 6g	Q	ΔΔ g	F1 (N)
M13650.TM06X0901CIN	49	20	15	10	5	M06	9	39	270
M13670.TM08X1001CIN	69	25	19	13	6,5	M08	10	71	840
M13682.TM10X1501CIN	81	26	-	17	8	M10	15	152	1700
M13690.TM10X1501CIN	89	26	-	17	8	M10	15	160	2700

INOX

M - TAPERED AND REVOLVING HANDLES

ver. MUK.19-0916



BOTECO

M - 16

Presumable presence in the stock in %

( ) 90% (●) 40% (●) 5% (●)

www.boteco.it - © All right reserved - BOTECO ®

Any unauthorized reproduction is strictly forbidden