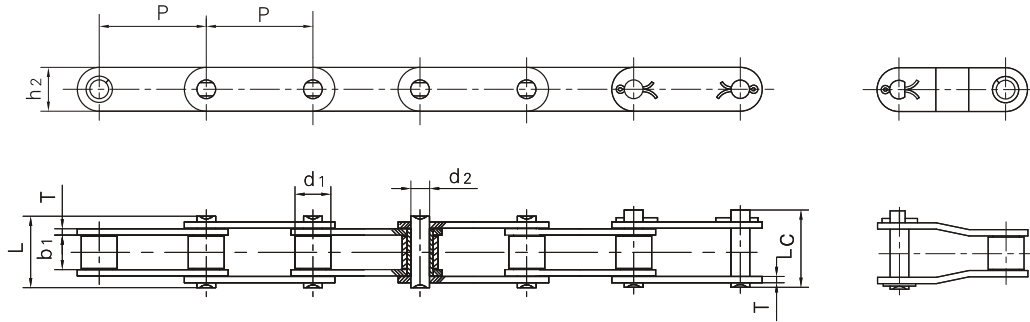




CA型钢制农机链
CA type steel agricultural chains

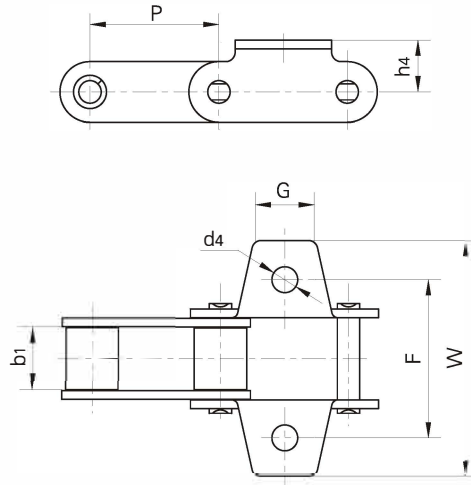


Vision Chain No.	节距	滚子直径	内节内宽	销轴直径	销轴长度		链板尺寸		极限拉伸载荷	平均拉伸载荷	每米长重
	Pitch	Roller diameter	Width between inner plates	Pin diameter	L	Lc	h2	T	Ultimate tensile strength	Average tensile strength	Weight per meter
	P	d1	b1	d2	L	Lc	h2	T	Q	Q0	q
	mm	mm	mm	mm	mm	mm	mm	mm	kN/LB	kN	kg/m
CA550	41.40	16.87	19.81	7.19	35.0	38.0	19.30	2.80	39.10/8886	51.2	1.94
CA550V	41.40	16.80	19.05	8.28	36.1	39.1	22.00	3.00	55.00/12499	68.7	2.24
CA555	41.40	16.87	12.70	7.19	29.1	32.0	19.30	3.10	39.10/8886	56.0	1.72
CA557	41.40	17.78	20.24	8.00	37.4	40.6	23.10	3.10	55.61/12639	74.3	2.60
CA620	42.01	17.91	24.51	7.19	41.8	45.2	20.20	3.25	39.10/8886	55.1	2.35
CA2060H	38.10	11.91	12.70	5.94	29.2	31.6	18.00	3.25	31.10/6996	40.5	1.45
CA2063H	38.10	11.89	12.70	5.94	29.4	34.2	19.30	3.25	31.28/7109	40.5	1.65
CA550F4	41.40	14.35	20.24	7.14	35.0	38.5	19.05	2.80	50.00/11363	52.0	1.76
CA550F5	41.40	16.66	20.24	7.14	35.0	38.5	19.05	2.80	45.00/10227	52.0	1.97
38.4R	38.40	15.88	19.05	6.92	33.8	36.4	17.30	2.50	33.00/7480	41.2	1.70
38.4V	38.40	15.88	18.00	6.92	35.0	38.0	17.30	3.00	40.00/9091	50.0	1.83
55VD	41.40	17.90	23.00	8.22	39.3	42.4	20.00	2.80	42.00/9546	45.0	2.34
S62F3	41.91	19.05	25.40	8.00	42.0	44.6	26.00	3.00	47.00/10796	58.7	3.12
CA960	41.40	17.78	22.61	8.9	40.1	43.0	23.10	3.00	66.0/15160	72.6	6.94



C型钢制农机链附件

C type steel agricultural chain with attachments

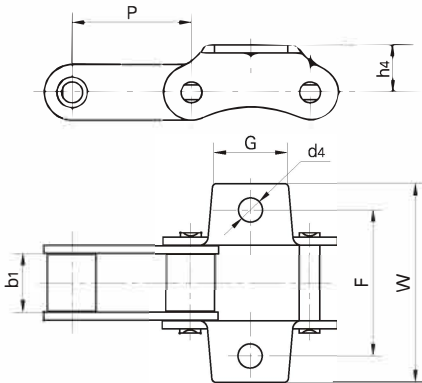
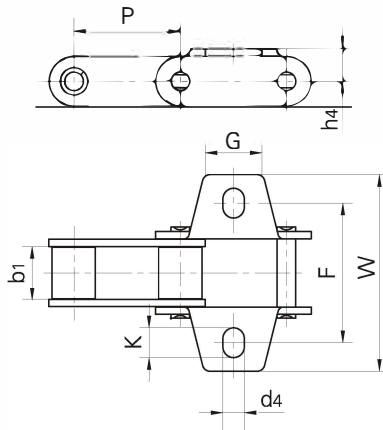
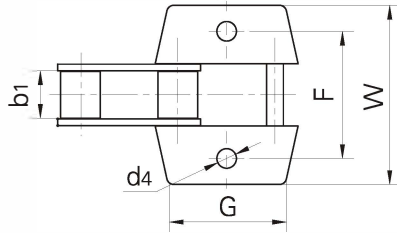
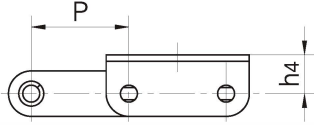


Vision Chain No.	P	b1	G	F	W	h4	d4
	mm	mm	mm	mm	mm	mm	mm
38.4VK1	38.4	18.00	22.00	57.5	82.00	15.4	9.00
38.4RK1F1	38.4	19.05	22.00	58.0	83.00	15.4	9.00
38.4VF3K1	38.4	18.00	20.00	58.0	79.00	15.4	9.00
38.4RK1F2	38.4	19.05	22.00	57.5	82.00	16.0	9.00
CA550F2	41.4	19.50	22.00	50.8	72.00	14.7	8.50
CA550K1F1	41.4	19.81	20.00	54.0	76.20	16.5	8.30
CA550K1F2	41.4	19.81	20.00	50.8	76.20	16.5	8.30
CA550K25	41.4	19.81	22.23	50.8	71.40	12.7	8.70
CA550VK1F1	41.4	19.05	27.00	50.8	75.54	16.5	8.50
CA550F4K19	41.4	20.24	22.23	50.8	77.80	12.7	6.75
CA550K29F1	41.4	19.81	22.20	50.8	75.40	12.7	10.30
CA550AK29M	41.4	19.81	26.20	50.8	75.40	16.5	10.24
CA550K1F7	41.4	19.81	26.20	50.8	75.40	16.5	8.40



C型钢制农机链附件

C type steel agricultural chain with attachments



Vision Chain No.	P mm	b ₁ mm	G mm	F mm	W mm	h ₄ mm	d ₄ mm
CA550K1F4	41.4	19.81	48.5	54.0	76.20	16.5	8.5
CA550VK1F3	41.4	19.05	56.0	54.0	75.54	16.5	8.5
CA550K1F6	41.4	19.81	48.5	54.0	76.20	16.5	10.5
CA550K18	41.4	19.81	22.6	54.0	71.60	12.7	8.5
CA620A1F1	42.01	24.51	63.5	67.7	91.70	16.1	10.5

Vision Chain No.	P mm	b ₁ mm	G mm	F mm	W mm	h ₄ mm	d ₄ mm	K mm
CA550K1	41.4	19.81	22.00	52.5	76.2	12.7	8.3	10.0
CA550K1F3	41.4	19.81	22.00	54.0	76.2	12.7	8.3	11.5
CA550F4K19F1	41.4	20.24	22.23	52.5	76.2	12.7	8.3	10.0
CA550K1F9	41.4	19.81	22.00	50.8	76.2	12.7	8.3	11.7
CA555K1	41.4	12.7	22.00	52.5	76.2	12.7	8.3	10.0

Vision Chain No.	P mm	b ₁ mm	G mm	F mm	W mm	h ₄ mm	d ₄ mm
CA550F1	41.4	19.81	22.23	53.95	70.6	12.7	9.90
CA550K19F3	41.4	19.81	25.5	50.80	68.4	16.5	8.33
CA550VK19F1	41.4	19.05	25.5	50.80	67.8	16.5	8.33
CA557AK4	41.4	20.24	26.19	50.80	69.4	16.5	8.33