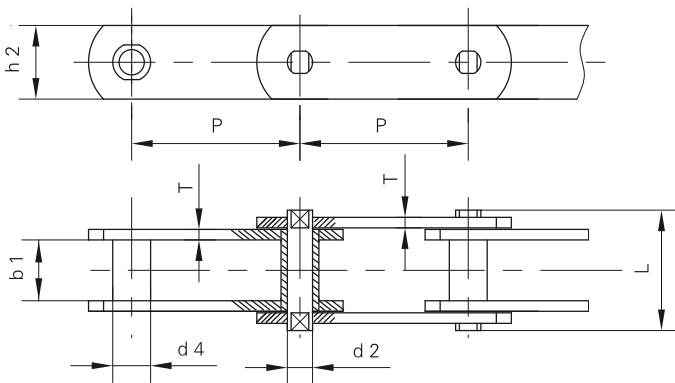
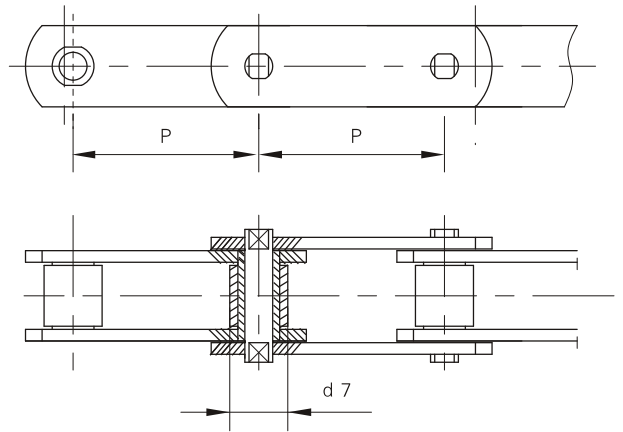


M系列输送链
Conveyor chains (M series)

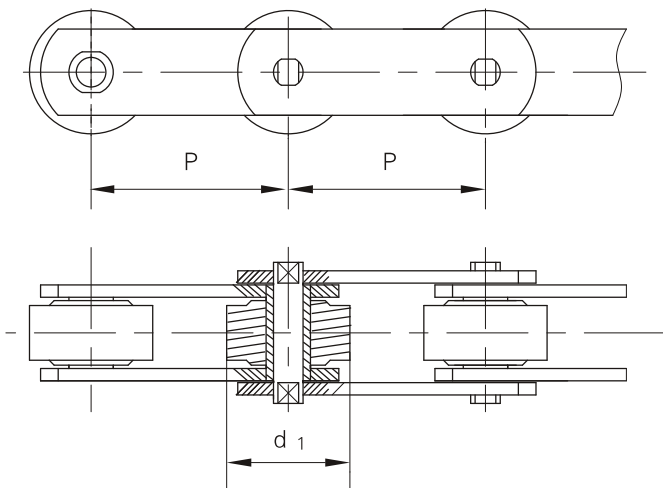
无滚子
without rollers



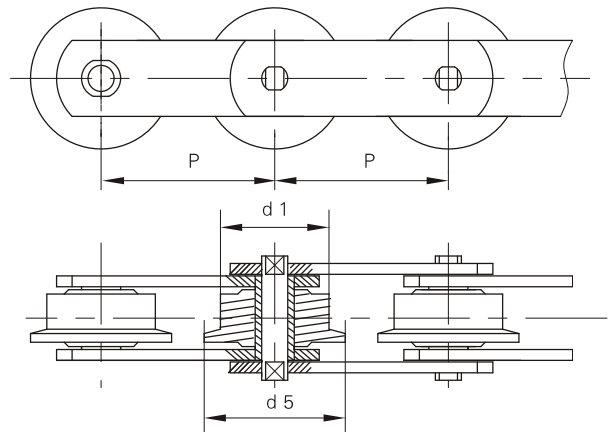
带S型小滚子
with S small rollers type



带P型大滚子
with P large rollers type



带F型带边滚子
with F flanged rollers type





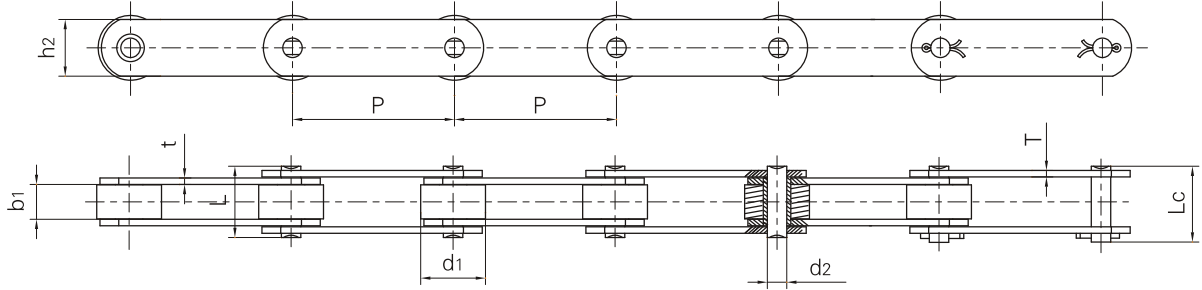
M系列输送链
Conveyor chains (M series)

ISO 链号 ISO Chain No.	节距 Pitch								滚子直径 Roller diameter			套筒直径 Bush diameter
	P								d1 max	d7 max	d5 max	d4 max
	mm								mm	mm	mm	mm
M20	*40.0	50.0	63.0	80.0	100.0	125.0	160.0		25.0	12.50	32.00	9.0
M28	*50.0	63.0	80.0	100.0	125.0	160.0	200.0		30.0	15.00	36.00	10.0
M40	63.0	80.0	100.0	125.0	160.0	200.0	250.0		36.0	18.00	42.00	12.5
M56	*63.0	80.0	100.0	125.0	160.0	200.0	250.0		42.0	21.00	50.00	15.0
M80	80.0	100.0	125.0	160.0	200.0	250.0	315.0		50.0	25.00	60.00	18.0
M112	*80.0	100.0	125.0	160.0	200.0	250.0	315.0	400.0	60.0	30.00	70.00	21.0
M160	*100.0	125.0	160.0	200.0	250.0	315.0	400.0	500.0	70.0	36.00	85.00	25.0
M224	*125.0	160.0	200.0	250.0	315.0	400.0	500.0	630.0	85.0	42.00	100.00	30.0
M315	*160.0	200.0	250.0	315.0	400.0	500.0	630.0		100.0	50.00	120.00	36.0
M450	200.0	250.0	315.0	400.0	500.0	630.0	800.0		120.0	60.00	140.00	42.0

ISO 链号 ISO Chain No.	内节内宽 Width between inner plates	销轴直径 Pin diameter	销轴长度 Pin length	链板高度 Plate depth	链板厚度 Plate thickness	极限拉伸载荷 Ultimate tensile strength	平均拉伸载荷 Average tensile strength
	b1 min	d2 max	L max	h2 max	T max	Q min	Q0
	mm	mm	mm	mm	mm	kN/LB	kN
M20	16.0	6.0	35.0	19.0	2.5	20.0/4545	25.0
M28	18.0	7.0	40.0	21.0	3.0	28.0/6364	35.0
M40	20.0	8.5	45.0	26.0	3.5	40.0/9091	50.0
M56	24.0	10.0	52.0	31.0	4.0	56.0/12727	70.0
M80	28.0	12.0	62.0	36.0	5.0	80.0/18182	100.0
M112	32.0	15.0	73.0	41.0	6.0	112.0/25454	140.0
M160	37.0	18.0	85.0	51.0	7.0	160.0/36364	200.0
M224	43.0	21.0	98.0	62.0	8.0	224.0/50909	280.0
M315	48.0	25.0	112.0	72.0	10.0	315.0/71591	393.7
M450	56.0	30.0	135.0	82.0	12.0	450.0/102272	562.5

*链条仅有套筒和小滚子。
*Chain has bush and small roller only

M系列输送链
Conveyor chains (M series)



Vision Chain No.	节距	滚子直径	内节内宽	销轴直径	销轴长度		链板高度	链板厚度	极限拉伸载荷	平均拉伸载荷	每米长重
	Pitch	Roller diameter	Width between inner plates	Pin diameter	L max	Lc max	Inner plate depth	Plate thickness	Ultimate tensile strength	Average tensile strength	Weight per meter
	mm	d1 max	b1 min	d2 max	mm	mm	h2 max	t/T max	Q min	Q0	q
	mm	mm	mm	mm	mm	mm	mm	mm	kN/LB	kN	kg/m
M18F1-P-50	50.00	25.00	11.50	5.72	26.0	28.2	18.0	2.5	18.0/4050	20.0	1.81
M22-P-50	50.00	25.00	11.50	8.00	28.0	30.9	20.0	3.0	22.0/4950	24.2	2.64
M22F1-P-50	50.00	25.00	12.00	10.00	29.4	32.6	20.0	3.0	22.0/4950	24.2	2.30
M35F2-S-35	35.00	14.00	14.00	7.00	31.0	34.0	18.0	3.5/2.5	35.0/7874	39.0	1.82
M35F2-P-35	35.00	22.00	14.00	7.00	31.0	34.0	18.0	3.5/2.5	35.0/7874	39.0	2.47
*M35F3-B-35	35.00	14.00	14.00	6.00	30.2	33.0	18.0	3.0	35.0/7874	39.0	1.73
M35F4-C-69	69.00	25.00	12.00	7.00	27.5	30.0	19.0	2.5	35.0/7874	39.0	1.60
M35F5-P-50.8	50.80	25.00	16.00	7.00	33.0	36.0	20.0	3.0	35.0/7874	39.0	2.48
M40-PF1-100	100.00	36.00	20.00	8.50	40.5	44.5	25.0	3.5	40.0/9000	44.0	3.28
M40F4-P-50	50.00	31.75	15.00	10.00	36.6	39.0	25.0	4.0	40.0/9000	44.0	4.00
M40F5-S-65	65.00	24.00	15.00	10.00	36.6	39.0	30.0	4.0	40.0/9000	44.0	4.86
M40F6-P-80	80.00	36.00	20.00	8.50	41.0	44.2	25.0	4.0	40.0/9000	44.0	3.68
M56F14-S-63	63.00	21.00	24.00	10.00	46.0	49.5	30.0	4.0	56.0/12600	61.6	3.81
M56F14-S-80	80.00	21.00	24.00	10.00	46.0	49.5	30.0	4.0	56.0/12600	61.6	3.27
M56F14-P-100	100.00	42.00	24.00	10.00	46.0	49.5	30.0	4.0	56.0/12600	61.6	5.00
M75-P-75	75.00	40.00	22.00	12.00	44.0	47.0	35.0	4.0	75.0/16870	75.0	5.88
M80F3-P-125	125.00	50.00	28.00	11.00	55.0	58.5	35.0	5.0	80.0/18000	88.0	6.72
M80F4-A-100	100.00	25.00	28.00	12.00	55.0	58.5	35.0	5.0	80.0/18000	88.0	4.63
M80F6-P-75	75.00	35.00	14.00	12.00	40.5	45.0	30.0	5.0	80.0/18000	88.0	4.80
*M80F8-B-100	100.00	18.00	28.00	12.00	55.0	58.5	35.0	5.0	80.0/18000	88.0	4.14
*M80F8-B-80	80.00	18.00	28.00	12.00	55.0	58.5	35.0	5.0	80.0/18000	88.0	4.48
M100-P-80	80.00	47.50	31.40	15.90	71.2	76.0	40.0	8.0	100.0/22727	110.0	12.36
M112F2-P-125	125.00	55.00	50.00	16.00	87.1	91.6	40.0	7.2	112.0/25200	123.2	13.35
M112F8-S-100	100.00	30.0	31.00	15.00	63.5	68.0	40.0	6.0	112.0/25200	123.2	7.14
M160F1-P-100	100.00	36.00	36.00	18.00	76.0	80.0	40.0	7.0	160.0/36364	176.0	9.42
M224F3-P-160	160.00	80.00	30.00	21.00	81.0		60.0	8.0	224.0/50909	246.0	17.34
*M315F6-B-160	160.00	42.00	80.00	25.00	140.0	140.0	80.0	12.0	315.0/70862	346.5	27.30

*套筒链:表中滚子直径d1为套筒直径

*Bushing chain: d1 in the table indicate the external diameter of the bushing.