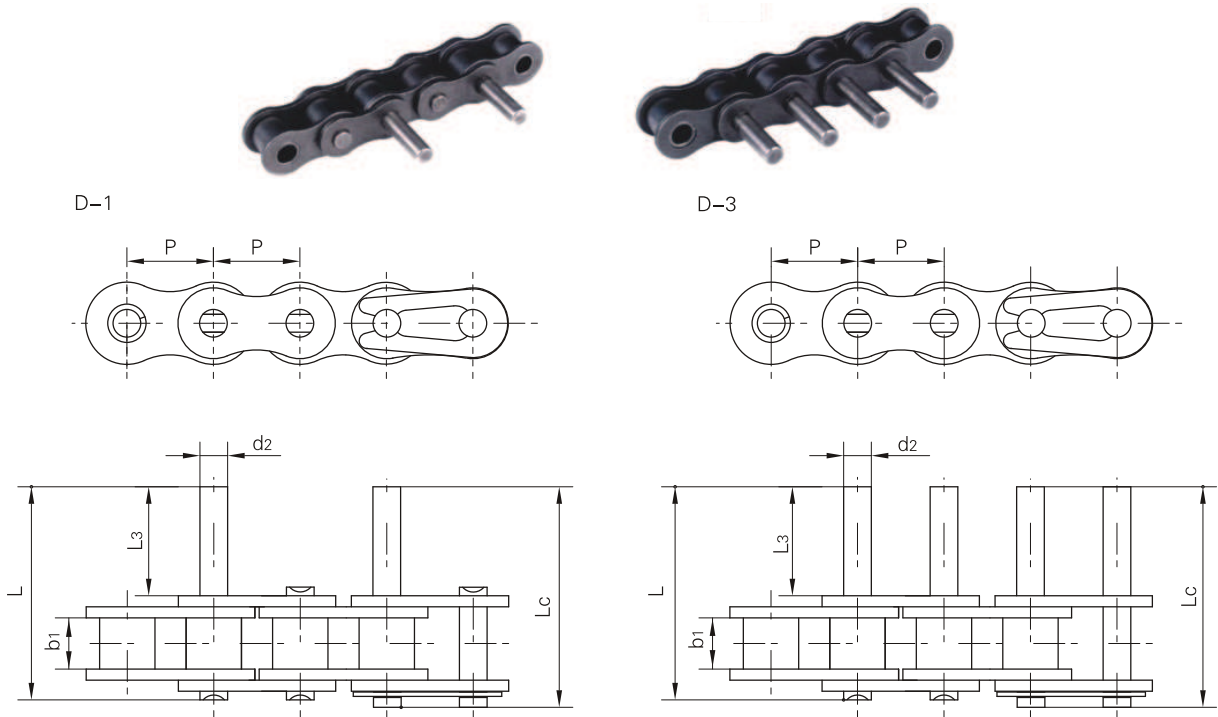


短節距加長銷輸送鏈
Short pitch conveyor chain with extended pins



DIN/ISO 鏈號 DIN/ISO Chain No.	ANSI 鏈號 ANSI Chain No.	P	b ₁	d ₂	L ₃	L	L _c
		mm	mm	mm	mm	mm	mm
06C	35	9.525	4.77	3.58	9.5	20.8	21.6
08A	40	12.700	7.85	3.96	9.5	25.1	26.2
10A	50	15.875	9.40	5.08	11.9	31.3	33.1
12A	60	19.050	12.57	5.94	14.3	38.6	40.6
16A	80	25.400	15.75	7.92	19.1	50.3	53.3
20A	100	31.750	18.90	9.53	23.8	61.8	66.1
24A	120	38.100	25.22	11.10	28.6	76.4	80.4
28A	140	44.450	25.22	12.70	33.3	84.8	89.4
32A	160	50.800	31.55	14.27	38.1	99.6	104.4
08B		12.700	7.75	4.45	9.5	25.1	26.6
10B		15.875	9.65	5.08	11.9	30.1	31.5
12B		19.050	11.68	5.72	14.3	35.4	37.1
16B		25.400	17.02	8.28	19.1	53.0	54.3
20B		31.750	19.56	10.19	41.0	79.9	83.6
24B		38.100	25.40	14.63	50.7	101.4	105.8
28B		44.450	30.99	15.90	61.9	124.0	128.4
32B		50.800	30.99	17.81	64.8	126.8	131.8