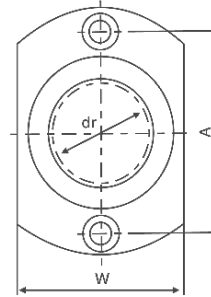
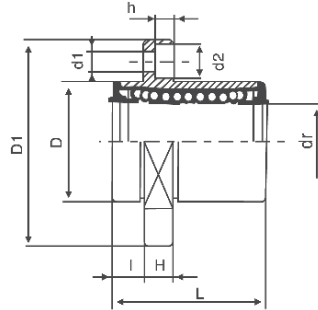
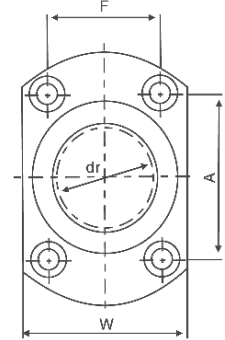


## TIP LMHP LMHP TYPE



LMHP 6-13



LMHP 16-30

Cod Code	Tip Type	Circuite de bile Ball circuit	dr		D		L ( $\pm 0,3$ )	I	D1	W	H	A	F	D1xd2xh	Excentricitate Eccentricity (max.)	Sarcină Load		Greutate Weight
			(mm)	( $\mu$ m)	(mm)	( $\mu$ m)										C	C0	
84.020.002	LMHP6UU	4	6	0 -9	12	0	19	5	28	18	5	20	-	3,5x6x3,1	12	206	265	21
84.020.003	LMHP8UU	4	8		15	-13	24	5	32	21	5	24	-	3,5x6x3,1		274	392	33
84.020.004	LMHP10UU	4	10		19	0	29	6	40	25	6	29	-	4,5x7,5x4,1		372	549	64
84.020.005	LMHP12UU	4	12		21	0	30	6	42	27	6	32	-	4,5x7,5x4,1		510	784	68
84.020.023	LMHP13UU	4	13		23	-16	32	6	43	29	6	33	-	4,5x7,5x4,1		510	784	81
84.020.007	LMHP16UU	5	16		28	0	37	6	48	34	6	31	22	4,5x7,5x4,1		774	1180	112
84.020.009	LMHP20UU	5	20		32	0	42	8	54	38	8	36	24	5,5x9x5,1		15	882	1370
84.020.011	LMHP25UU	6	25	40	-19	59	8	62	46	8	40	32	5,5x9x5,1	980	1570		325	
84.020.013	LMHP30UU	6	30	45	0	64	10	74	51	10	49	35	6,6x11x6,1	1570	2740		388	