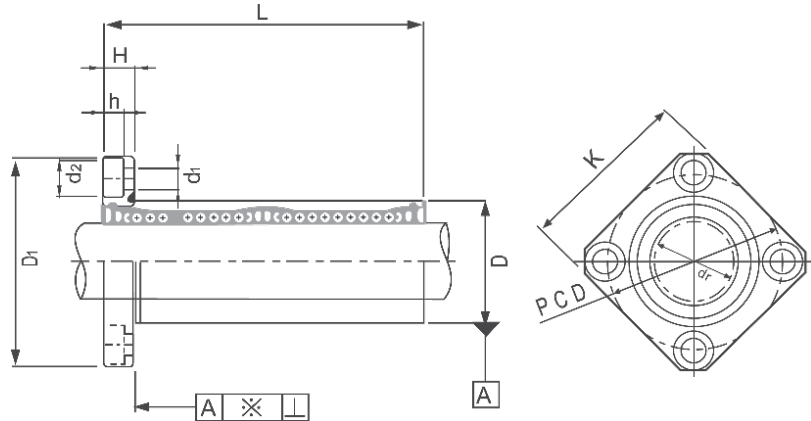




TIP LMEK_L (SERIA EUROPENĂ)
 LMEK_L TYPE (EUROPEAN SERIES)



Cod Code	Tip Type	Circuite de bile Ball circuit	dr		D		L (±0,3)	D1	PCD	H	K	d1xd2xh	Excentricitate Eccentricity (max.)	Joc radial Radial clearance (max.)	Sarcină Load		Greutate Weight
			(mm)	(μm)	(mm)	(μm)									C	C0	
84.019.003	LMEK8LUU	4	8	+9	16	0 / -13	46	32	24	5	25	3,5x6x3,1	15	-3	421	804	59
84.019.005	LMEK12LUU	4	12	+1	22	0	61	42	32	6	32	4,5x7,5x4,1		-4	813	1570	110
84.019.007	LMEK16LUU	5	16	+11	26	-16	68	46	36	6	35	4,5x7,5x4,1		921	1780	160	
84.019.009	LMEK20LUU	5	20	+1	32	0	80	54	43	8	42	5,5x9x5,1	17	-6	1370	2740	260
84.019.011	LMEK25LUU	6	25	+13	40	-19	112	62	51	8	50	5,5x9x5,1		1570	3140	540	
84.019.013	LMEK30LUU	6	30	-2	47	0	123	76	62	10	60	6,6x11x6,1		-8	2500	5490	815
84.019.015	LMEK40LUU	6	40	+16	62	0	151	98	80	13	75	9x14x8,1	20	-8	3430	8040	1805
84.019.016	LMEK50LUU	6	50	-4	75	-22	192	112	94	13	88	9x14x8,1		6080	15900	2820	
84.019.017	LMEK60LUU	6	60		90	0 / -25	209	134	112	18	106	11x17x11,1	25	-13	7550	20000	4920