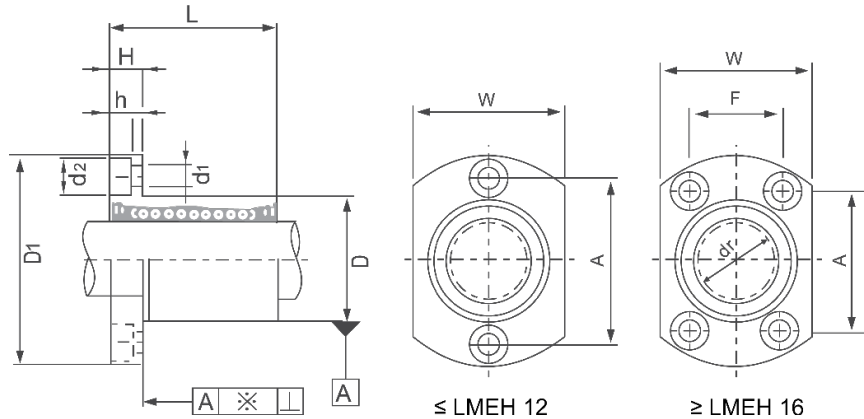




TIP LMH / LMEH (SERIA EUROPENĂ)
LMH / LMEH TYPE (EUROPEAN SERIES)



Cod Code	Tip Type	Circuite de bile Ball circuit	dr		D		L (±0,3)	D1	W	A	F	H	d1xd2xh	Excentricitate Eccentricity (max.)	Joc radial Radial clearance (max.)	Sarcină Load		Greutate Weight	
			(mm)	(μm)	(mm)	(μm)										C	C0		
LMEH standard european																			
84.015.005	LMEH 12UU	4	12	+8 / 0	21	0	30	42	32	32	-	6	4,5x7,5x4,1	12	-4	510	784	80	
84.015.006	LMEH 16UU	5	16	+9	28	-9	37	48	34	31	22	6	1,5x7,5x4,1			578	892	103	
84.015.007	LMEH 20UU	5	20	+1	32	0	42	54	38	36	24	8	5,5x9x5,1	15	-6	862	1370	182	
84.015.008	LMEH 25UU	6	25	+11	40		-11	59	62	46	40	32	8			5,5x9x5,1	980	1570	335
84.015.009	LMEH 30UU	6	30	-1	45		64	74	51	49	35	10	6,6x11x6,1			1570	2740	560	
LMH standard asiatic																			
84.098.002	LMH 06UU	4	6	0	12	0	19	28	18	20	-	5	3,5X6X3,1	12	-3	206	265	24	
84.098.003	LMH 08UU	4	8		15	-11	24	32	21	24	-	5	3,5X6X3,1			274	392	37	
84.098.004	LMH 10UU	4	10		19	29	40	25	29	-	6	4,5x7,5x4,1	372			549	72		
84.098.005	LMH 12UU	4	12		21	0	30	42	27	32	-	6	4,5x7,5x4,1		-4	510	784	76	
84.098.023	LMH 13UU	4	13		23	-13	32	43	29	33	-	6	4,5x7,5x4,1			510	784	88	
84.098.007	LMH 16UU	5	16		28	37	48	34	31	22	6	4,5x7,5x4,1	774			1180	120		
84.098.009	LMH 20UU	5	20		32	42	54	38	36	24	8	5,5x9x5,1	882			1370	180		
84.098.011	LMH 25UU	6	25	0	40	0	59	62	46	40	32	8	5,5x9x5,1	15	-6	980	1570	340	
84.098.013	LMH 30UU	6	30	-10	45	-16	64	74	51	49	35	10	6,6x11x6,1			1570	2740	470	