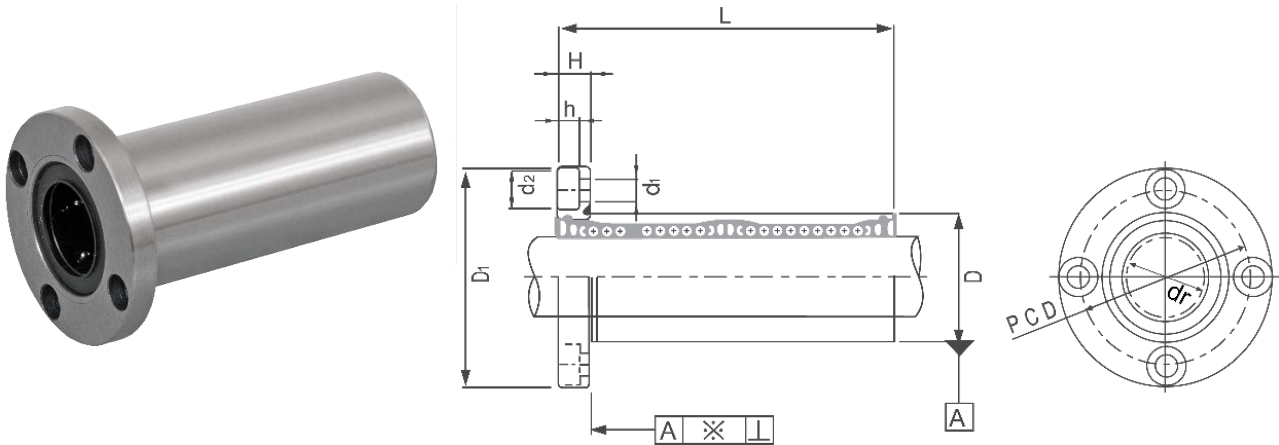




TIP LMEF-L (SERIA EUROPENĂ)
 LMEF-L TYPE (EUROPEAN SERIES)



Cod Code	Tip Type	Circuite de bile Ball circuit	dr		D		L (±0,3)	D1	PCD	H	d1xd2xh	Excentricitate Eccentricity (max.)	Joc radial Radial clearance (max.)	Sarcină Load		Greutate Weight
			(mm)	(μm)	(mm)	(μm)								C	C0	
84.017.003	LMEF8LUU	4	8	+9	16	0 / -13	46	32	24	5	3,5x6x3,1	15	-3	421	804	59
84.017.005	LMEF12LUU	4	12	+1	22	0	61	42	32	6	4,5x7,5x4,1		-4	813	1570	110
84.017.007	LMEF16LUU	5	16	+11	26	-16	68	46	36	6	4,5x7,5x4,1	17	-6	921	1780	160
84.017.009	LMEF20LUU	5	20	+1	32	0	80	54	43	8	5,5x9x5,1		-8	1370	2740	260
84.017.011	LMEF25LUU	6	25	+13	40	-19	112	62	51	8	5,5x9x5,1	20	-8	1570	3140	540
84.017.013	LMEF30LUU	6	30	-2	47	0	123	76	62	10	6,6x11x6,1		-8	2500	5490	815
84.017.015	LMEF40LUU	6	40	+16	62	0	151	98	80	13	9x14x8,1	25	-13	3430	8040	1805
84.017.016	LMEF50LUU	6	50	-4	75	-22	192	112	94	13	9x14x8,1		-13	6080	15900	2820
84.017.017	LMEF60LUU	6	60		90	0 / -25	209	134	112	18	11x17x11,1			7550	20000	4920