

# L804-L804CIN



## "EUROMODEL" WINGNUT WITH THREADED STUD

PROTECTED MODEL

### Material:

Reinforced polyamide.  
Oils and greases resistant.

### Surface:

Satin.

### Colour:

Black (RAL 9011).

### Central Cap:

Grey PA6 (RAL 7035 cod. 13).

### Alternative Cap Colour:

Orange (RAL 2004 cod. 02).  
Blue (RAL 5015 cod. 07).  
Yellow (RAL 1021 cod. 10).  
Red (RAL 3000 cod. 16).  
Green (RAL 6024 cod. 17).  
Black (RAL 9011 cod. 01).



### Main Insert:

**L804:** Zinc plated steel threaded stud.  
(thread tolerance 6g).

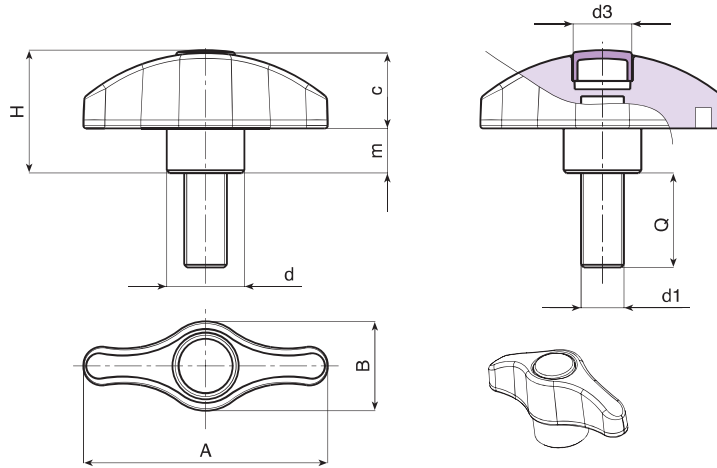
**L804CIN:** Stainless steel (AISI 303) threaded stud.  
(thread tolerance 6H).

### Maximum mouldable length (LM):

L804-44: 80 mm  
L804-52: 80 mm  
L804-67: 100 mm

### SPECIAL REQUESTS:

- It is possible to supply the inserts with different lengths, on request and for quantities.
- It is possible to supply the inserts in different materials, on request and for quantities.
- It is possible to supply the wingnuts with colours as shown in the table at page L-27, on request and for quantities.



### Version L804: Zinc plated steel threaded stud

Art.	A	B	H	m	c	d	d3	d1	Q	g
L80444.TM05X..0113	44	16	22	8	14	14	10	M05	16-20-25-30-40-50	11-11,5-12-12,5-13,5-14,5
L80444.TM06X..0113	44	16	22	8	14	14	10	M06	16-20-25-30-40-50	12-13-14-15-16-17
L80444.TM08X..0113	44	16	22	8	14	14	10	M08	16-20-25-30-40-50	19-20,5-22-23,5-26-29
L80452.TM06X..0113	52	19	26	9,5	16,5	17	13	M06	16-20-25-30-40-50	17-18-19-20-21-22
L80452.TM08X..0113	52	19	26	9,5	16,5	17	13	M08	16-20-25-30-40-50	24-25,5-27-28,5-31-34
L80452.TM10X..0113	52	19	26	9,5	16,5	17	13	M10	20-25-30-40-50	32-35-38-42-47
L80467.TM06X..0113	67	24	32,5	11	21,5	21	16	M06	A.R.	-
L80467.TM08X..0113	67	24	32,5	11	21,5	21	16	M08	16-20-25-30-40-50	32-33,5-35-36,5- 39,5-42,5
L80467.TM10X..0113	67	24	32,5	11	21,5	21	16	M10	30-50	44,5-54,5
L80467.TM12X..0113	67	24	32,5	11	21,5	21	16	M12	30-40	52-59

A.R. = by request.

Enter the stud length choice in the two .. of the article code. Lengths by request with 250 pieces minimum quantity.

### Version L804 CIN: Stainless steel threaded stud

Art.	A	B	H	m	c	d	d3	d1	Q	g
L80444.TM06X..0113CIN	44	16	22	8	14	14	10	M06	A.R.	16
L80452.TM08X..0113CIN	52	19	26	9,5	16,5	17	13	M08	A.R.	31
L80467.TM10X..0113CIN	67	24	32,5	11	21,5	21	16	M10	A.R.	49,5

Enter the stud length choice in the two .. of the article code. Lengths by request with 250 pieces minimum quantity.

LM = Maximum mouldable length.

A.R. = by request.

L - WINGNUTS  
AND T-HANDLES

ver. LUK.18-0916



L - 12

Presumable presence in the stock in %

( ) 90% (●) 40% (●) 5% (●)

www.boteco.it - © All right reserved - BOTECA ®

Any unauthorized reproduction is strictly forbidden