

L803-L803PIN



"EUROMODEL" WINGNUT WITH THREADED THROUGH INSERT

PROTECTED MODEL

Material:

Reinforced polyamide.
Oils and greases resistant.

Surface:

Satin.

Colour:

Black (RAL 9011).

Central Cap:

Grey PA6 (RAL 7035 cod. 13).

Alternative Cap Colour:

Orange (RAL 2004 cod. 02).
Blue (RAL 5015 cod. 07).
Yellow (RAL 1021 cod. 10).
Red (RAL 3000 cod. 16).
Green (RAL 6024 cod. 17).
Black (RAL 9011 cod. 01).



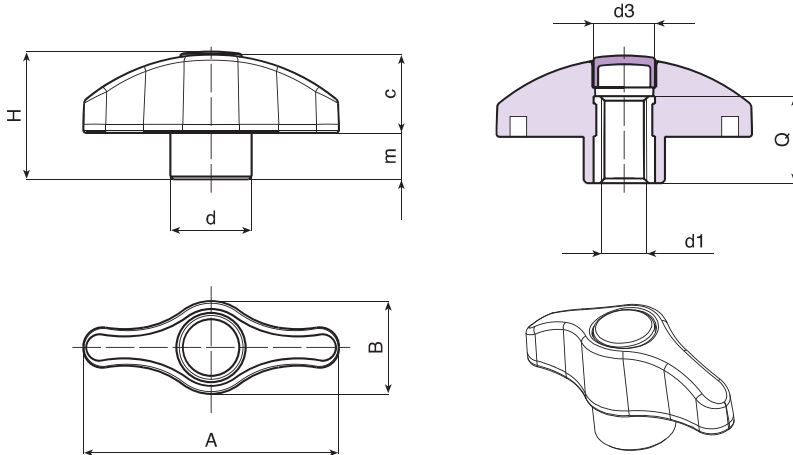
Main Insert:

L803: Brass right through threaded bush.
(thread tolerance 6H).

L803PIN: Stainless steel (AISI 303) right through threaded bush.
(thread tolerance 6H).

SPECIAL REQUESTS:

- It is possible to supply the inserts in different materials, on request and for quantities.
- It is possible to supply the wingnuts with colours as shown in the table at page L-27 on request and for quantities.



Version L803: Standard brass insert

Art.	A	B	H	m	c	d	d3	d1 6H	Q	g
L80344.TM050113	44	16	22	8	14	14	10	M05	15	10
L80344.TM060113	44	16	22	8	14	14	10	M06	15	10
L80344.TM080113	44	16	22	8	14	14	10	M08	15	11
L80352.TM050113	52	19	26	9,5	16,5	17	13	M05	18	15
L80352.TM060113	52	19	26	9,5	16,5	17	13	M06	18	15
L80352.TM080113	52	19	26	9,5	16,5	17	13	M08	18	16
L80352.TM100113	52	19	26	9,5	16,5	17	13	M10	18	16
L80367.TM060113	67	24	32,5	11	21,5	21	16	M06	18	26
L80367.TM080113	67	24	32,5	11	21,5	21	16	M08	18	26
L80367.TM100113	67	24	32,5	11	21,5	21	16	M10	18	27
L80367.TM120113	67	24	32,5	11	21,5	21	16	M12	18	27

Version L803 PIN: Stainless steel insert

Art.	A	B	H	m	c	d	d3	d1 6H	Q	g
L80344.TM060113PIN	44	16	22	8	14	14	10	M06	15	10
L80352.TM080113PIN	52	19	26	9,5	16,5	17	13	M08	18	16
L80367.TM100113PIN	67	24	32,5	11	21,5	21	16	M10	18	27

INOX

L - WINGNUTS AND T-HANDLES

ver. LUK.18-0916



Presumable presence in the stock in %

() 90% () 40% () 5% ()

www.boteco.it - © All right reserved - BOTECA®
Any unauthorized reproduction is strictly forbidden