

# LARGE WINGNUT WITH THREADED STUD

# L756



PA6  
+GF

UL94  
HB



**Material:**

Reinforced polyamide.  
Oils and greases resistant.

**Surface:**

Satin.

**Colour:**

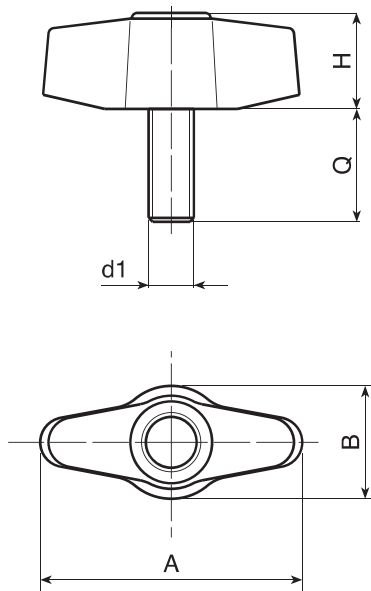
Black (RAL 9011).

**Main Insert:**

Zinc plated steel threaded stud (tolerance 6g).

**SPECIAL REQUESTS:**

- It is possible to supply inserts in different lengths or by special design, on request and for quantities.
- It is possible to supply inserts in different materials, on request and for quantities.
- It is possible to supply colours as shown in the table on page L-27, on request and for quantities.



Art.	A	B	H	LM	d1 6g	Q	g
L75648.TM06X..01	45	20	17	50	M06	16-20	14,5-15
L75648.TM08X..01	45	20	17	50	M08	16-20-25-30-35-50	17-18,5-20-21,5-23-26
L75648.TM10X..01	45	20	17	50	M10	20-25-30	26-28,5-30

Enter the stud length choice in the two .. of the article code. Lengths by request with 150 pieces minimum quantity.

LM = Maximum mouldable length.

Presumable presence in the stock in %

( ) 90% (●) 40% (●) 5% (●) |

BOTECO® - © All right reserved - www.boteco.it  
Any unauthorized reproduction is strictly forbidden



**BOTECO**

**L - WINGNUTS  
AND T-HANDLES**