


KK-4 típus / type KK-4 / KK-4 typ


Gumi / rubber / guma:

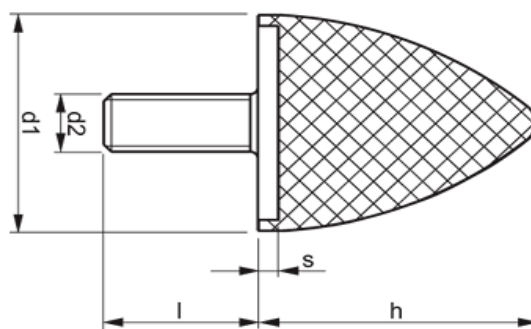
NK, EPDM, NBR, CR

Keménység / hardness / tvrdost' :

43, 57, 72 Shore-A

Csavar anyaga / material of the screw /
materiál skrutky:

ST37, 1.4301



d1	h	d2	l	t	s
10	10	M5	12	n/a	1,2
20	15	M6	12	n/a	2
20	24	M6	18	n/a	2
25	20	M6	18	n/a	2
30	30	M8	20	n/a	2
30	36	M8	20	n/a	2
32	24	M8	20	n/a	2
35	40	M8	20	n/a	2
50	50	M10	28	n/a	2
50	58	M10	28	n/a	2
50	61	M10	28	n/a	2
50	68	M10	28	n/a	2
70	58	M12	37	n/a	3
75	89	M12	37	n/a	3
95	80	M16	41	n/a	3
115	136	M16	41	n/a	3
118	77	M16	41	n/a	3