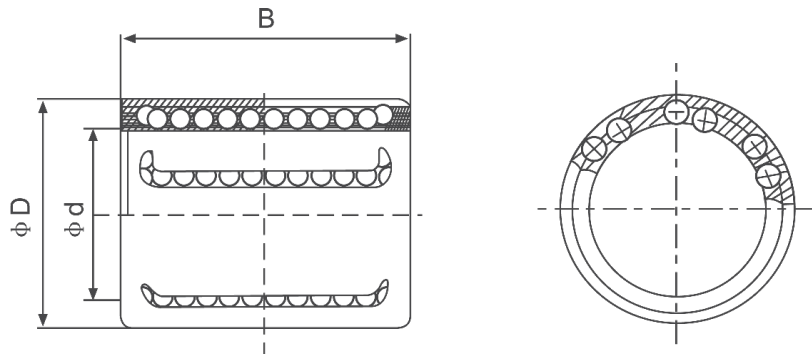


RULMENȚI LINIARI BALL BUSHINGS

TIP KH
KH TYPE



Cod Code	Tip Type	d	D	B	Sarcină Load		Greutate Weight
					C	C0	
(mm)					(N)		(g)
87.012.002	KH-0622 PP	6	12	22	400	239	7
87.012.003	KH-0824 PP	8	15	24	435	280	12
87.012.004	KH-1026 PP	10	17	26	500	370	14,5
87.012.005	KH-1228 PP	12	19	28	620	510	18,5
87.012.006	KH-1428 PP	14	21	28	620	520	20,5
87.012.007	KH-1630 PP	16	24	30	800	620	27,5
87.012.009	KH-2030 PP	20	28	30	950	790	32,5
87.012.011	KH-2540 PP	25	35	40	1990	1670	66
87.012.013	KH-3050 PP	30	40	50	2800	2700	95
87.012.015	KH-4060 PP	40	52	60	4400	4450	182
87.012.016	KH-5070 PP	50	62	70	5500	6300	252