

NEW

J188



LIGHT DUTY TOGGLE LATCH WITH CATCH PLATE

Material:

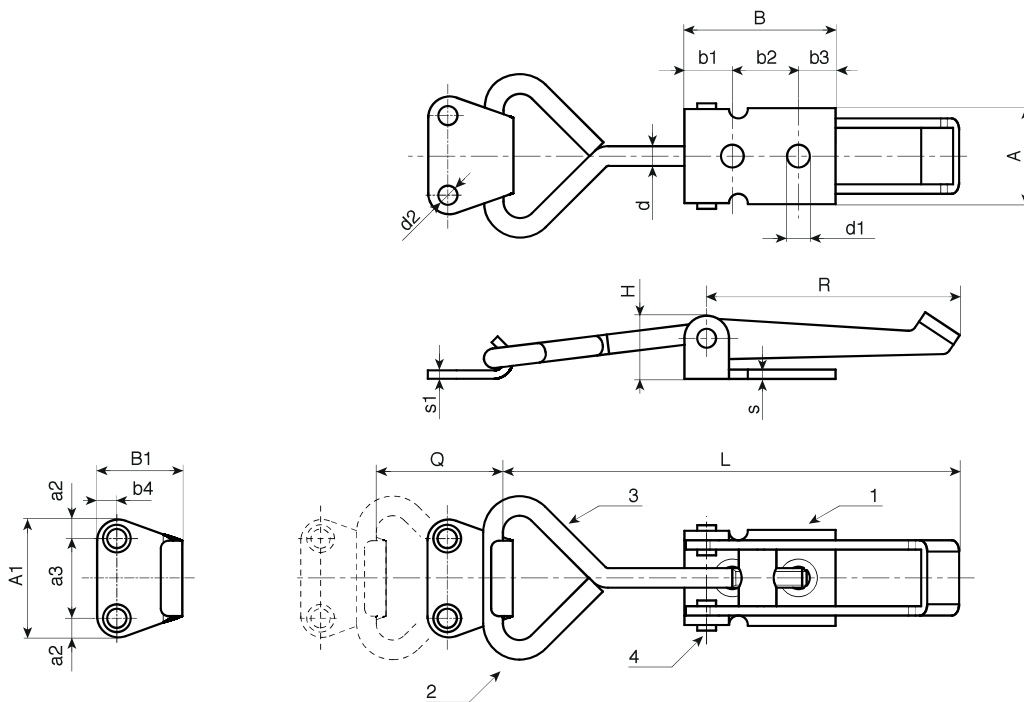
- (1) Sheared and bent, zinc plated steel body.
- (2) Sheared and bent, zinc plated steel catch plate.
- (3) Zinc plated steel hook, cold formed and threaded.
- (4) Stainless steel fixing pop-rivet.

Packaging:

The article is complete and it includes the own catch plate.

SPECIAL REQUESTS:

- It is possible to supply the article in stainless steel version, on request and for quantities.



Art.	R	L	Q	H	A	B	A1	B1	b1	b2	b3	b4	a2	a3	s	s1	d	d1	d2	Δg
● J188040.FZ	40	75	0±15	15	20,5	29,5	25	22	5,5	18	6	4,5	5,5	14	2	2	4	4,7	4,5	56
● J188060.FZ	60	98	0±25	17	25,5	40	30	24	13	17,5	9,5	6	6,5	17	2,5	3	5	6	4,5	83

J - LATCHING SYSTEMS

ver. JUK.17-0616



J - 12

Presumable presence in the stock in %

() 90% (●) 40% (●) 5% (●)

www.boteco.it - © All right reserved - BOTECO ®

Any unauthorized reproduction is strictly forbidden