

# MUSHROOM KNOB WITH THREADED STUD

# I119



**Material:**

Reinforced polyamide.  
Oils and greases resistant.

**Surface:**

Satin.

**Colour:**

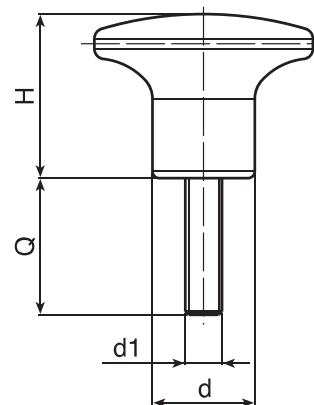
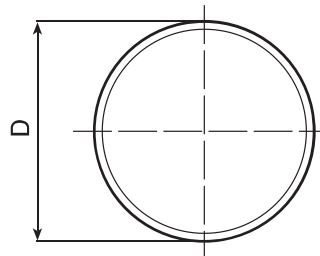
Black (RAL 9011).

**Main Insert:**

Zinc plated steel threaded stud (tolerance 6g).

**SPECIAL REQUESTS:**

- It is possible to supply inserts in different lengths or by special design, on request and for quantities.
- It is possible to supply inserts in different materials, on request and for quantities.
- It is possible to supply colours as shown in the table on page I-23, on request and for quantities.



	art.	D	H	d	LM	d1 6g	Q	g
●	I11922.TM04X2001	22	17	11	65	M04	20	6
●	I11922.TM05X3001	22	17	11	56	M05	30	9
●	I11922.TM06X3001	22	17	11	65	M06	30	12
●	I11926.TM05X..01	26	20,5	13	70	M05	A.R.	11
●	I11926.TM06X3001	26	20,5	13	70	M06	30	14
●	I11926.TM08X3001	26	20,5	13	70	M08	30	30
●	I11932.TM05X..01	32	24	15	70	M05	A.R.	16
●	I11932.TM06X3001	32	24	15	70	M06	30	18
●	I11932.TM08X4001	32	24	15	70	M08	40	28
●	I11945.TM08X..01	45	32	21	100	M08	A.R.	42
●	I11945.TM10X3001	45	32	21	100	M10	30	48
●	I11945.TM12X4001	45	32	21	100	M12	40	72

Enter the stud length choice in the two .. of the article code. Lengths by request with 250 pieces minimum quantity.

LM = Maximum mouldable length.

Presumable presence in the stock in %

( ) 90% ( ● ) 40% ( ● ) 5% ( ● )

BOTECO® - © All right reserved - www.boteco.it

Any unauthorized reproduction is strictly forbidden



**BOTECO**

**I  
HANDGRIPS**