

1117



MUSHROOM KNOB WITH FEMALE THREADED INSERT

Material:

Reinforced polyamide.
Oils and greases resistant.

Surface:

Satin.

Colour:

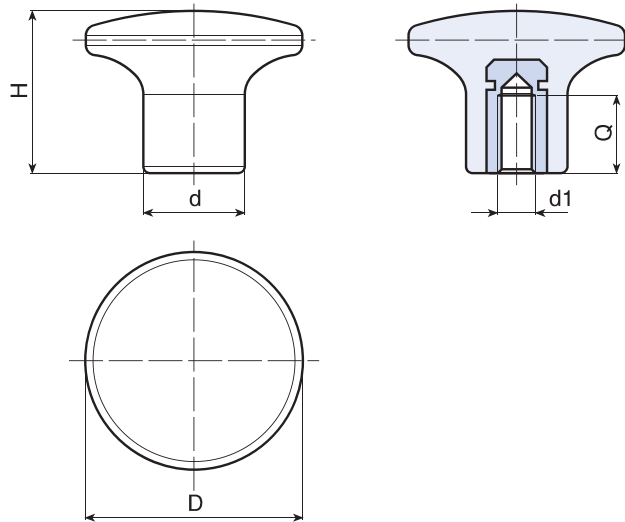
Black (RAL 9011).

Main Insert:

Brass blind threaded bush (tolerance 6H).

SPECIAL REQUEST:

- It is possible to supply the inserts in different materials, on request and for quantities.
- It is possible to supply colours as shown in the table at pag. I-23, on request and for quantities.



	art.	D	H	d	d1	Q	g
●	I11722.TM0401	22	17	11	M04	9,5	6
●	I11722.TM0501	22	17	11	M05	8	6
●	I11722.TM0601	22	17	11	M06	8	6
●	I11726.TM0501	26	20,5	13	M05	15,5	9
●	I11726.TM0601	26	20,5	13	M06	13	9
●	I11726.TM0801	26	20,5	13	M08	13	10
●	I11732.TM0501	32	24	15	M05	8	12
●	I11732.TM0601	32	24	15	M06	8	12
●	I11732.TM0801	32	24	15	M08	13	14
●	I11745.TM0801	45	32	21	M08	13	32
●	I11745.TM1001	45	32	21	M10	13	33
●	I11745.TM1201	45	32	21	M12	17	34

