

# I105



PA6  
+GF

UL94  
HB



## BALL KNOB WITH FEMALE THREADED INSERT

### Material:

Reinforced polyamide.  
Oils and greases resistant.

### Surface:

Satin.

### Colour:

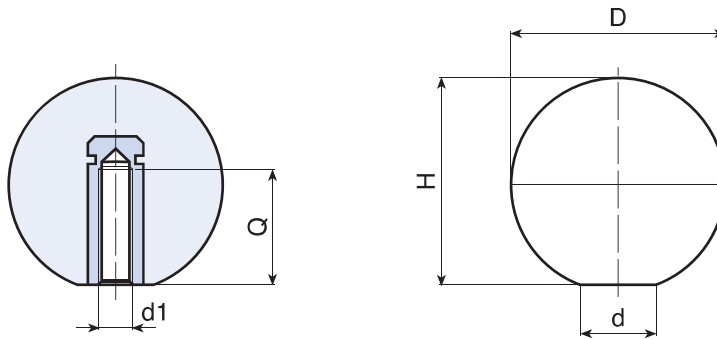
Black (RAL 9011).

### Main Insert:

Brass blind threaded bush (tolerance 6H).

### SPECIAL REQUEST:

- It is possible to supply the inserts in different materials, on request and for quantities.
  - It is possible to supply colours as shown in the table at pag. I-23, on request and for quantities.
- (\*) ATTENTION: Reduced colour range.



	art.	D	H	d	d1 6H	Q	g
●	I10515.TM0401	15	14	8	M04	8	4
●	I10515.TM0501	15	14	8	M05	7	4
●	I10520.TM0401	20	19	10	M04	8	8
●	I10520.TM0501	20	19	10	M05	7	8
●	I10520.TM0601	20	19	10	M06	7	8
●	I10520.TM0801	20	19	10	M08	7	8
●	I10525.TM0501	25	23	14	M05	10	12
●	I10525.TM0601	25	23	14	M06	10	12
●	I10525.TM0801	25	23	14	M08	11	14
●	I10525.TM1001	25	23	14	M10	14	12
●	I10530.TM0501	30	29	14	M05	15	22
●	I10530.TM0601	30	29	14	M06	16	22
●	I10530.TM0801	30	29	14	M08	14	22
●	I10530.TM1001	30	29	14	M10	14	22
●	I10530.TM1201	30	29	14	M12	18	26
●	I10535.TM0601	35	33	16	(*) M06	16	34
●	I10535.TM0801	35	33	16	(*) M08	14	34
●	I10535.TM1001	35	33	16	(*) M10	14	34
●	I10335.TM1201	35	33	16	(*) M12	18	32
●	I10540.TM0801	40	39	16	(*) M08	14	52
●	I10540.TM1001	40	39	16	(*) M10	14	52
●	I10540.TM1201	40	39	16	(*) M12	18	52
●	I10540.TM1401	40	39	16	(*) M14	19	50
●	I10545.TM0801	45	44	18	(*) M08	14	60
●	I10545.TM1001	45	44	18	(*) M10	18	60
●	I10545.TM1201	45	44	18	(*) M12	18	58
●	I10545.TM1401	45	44	18	(*) M14	19	56
●	I10550.TM1001	50	49	18	(*) M10	18	94
●	I10550.TM1201	50	49	18	(*) M12	18	92
●	I10550.TM1401	50	49	18	(*) M14	19	90

I  
HANDGRIPS

ver. IUK.17-0616



BOTECA

Presumable presence in the stock in %

( ) 90% (●) 40% (●) 5% (●)

www.boteco.it - © All right reserved - BOTECA ®

Any unauthorized reproduction is strictly forbidden