

I103



BALL KNOB WITH PLASTIC THREADED HOLE

Material:

Reinforced polyamide.
Oils and greases resistant.

Surface:

Satin.

Colour:

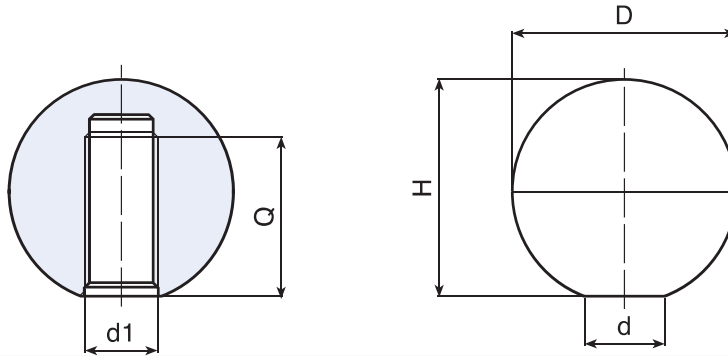
Black (RAL 9011).

Hole:

Female threaded blind hole obtained by moulding the plastic. (tolerance in not applicable).

**SPECIAL REQUEST:**

- It is possible to supply colours as shown in the table at pag. I-23, on request and for quantities. (*) ATTENTION: Reduced colour range.



	art.	D	H	d	d1	Q	△ g
●	I10315.TM0401	15	14	9	M04	10	2
●	I10315.TM0501	15	14	9	M05	10	2
●	I10320.TM0401	20	19	10	M04	14	6
●	I10320.TM0501	20	19	10	M05	14	6
●	I10320.TM0601	20	19	10	M06	14	6
●	I10320.TM0801	20	19	10	M08	14	6
●	I10325.TM0501	25	23	14	M05	18	10
●	I10325.TM0601	25	23	14	M06	18	10
●	I10325.TM0801	25	23	14	M08	18	10
●	I10325.TM1001	25	23	14	M10	18	8
●	I10330.TM0501	30	29	14	M05	22	18
●	I10330.TM0601	30	29	14	M06	22	18
●	I10330.TM0801	30	29	14	M08	22	16
●	I10330.TM1001	30	29	14	M10	22	16
●	I10330.TM1201	30	29	14	M12	22	14
●	I10335.TM0601	35	33	16	(*) M06	25	28
●	I10335.TM0801	35	33	16	(*) M08	25	26
●	I10335.TM1001	35	33	16	(*) M10	25	26
●	I10335.TM1201	35	33	16	(*) M12	25	26
●	I10340.TM0801	40	39	16	(*) M08	25	42
●	I10340.TM1001	40	39	16	(*) M10	25	36
●	I10340.TM1201	40	39	16	(*) M12	25	36
●	I10340.TM1401	40	39	16	(*) M14	25	34
●	I10345.TM0801	45	44	18	(*) M08	25	60
●	I10345.TM1001	45	44	18	(*) M10	25	58
●	I10345.TM1201	45	44	18	(*) M12	25	58
●	I10345.TM1401	45	44	18	(*) M14	25	56
●	I10350.TM1001	50	49	18	(*) M10	25	80
●	I10350.TM1201	50	49	18	(*) M12	25	78
●	I10350.TM1401	50	49	18	(*) M14	25	76
●	I10350.TM1601	50	49	18	(*) M16	25	73

I
HANDGRIPS

ver. IUK.17-0616



BOTECA

Presumable presence in the stock in %

() 90% (●) 40% (●) 5% (●)

www.boteco.it - © All right reserved - BOTECA ®

Any unauthorized reproduction is strictly forbidden