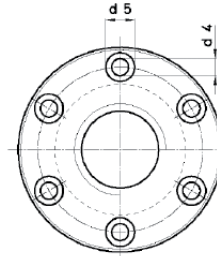
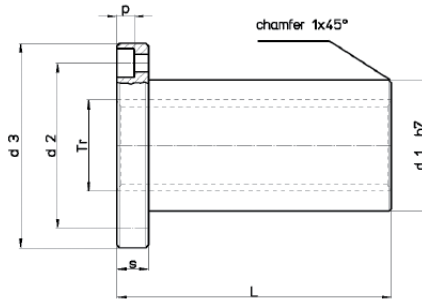


PIULIȚĂ LUNGĂ DE BRONZ CU FLANȘĂ FLANGED ELONGATED BRONZE NUT

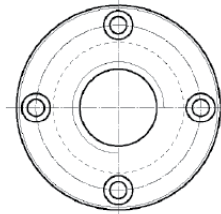
Material bronz
Material bronze

Sudabil ---
Weldable ---

Tip HDL (79.011)
Type



≥ Tr 25x5



≤ Tr 22x5

| Cod Code | | Ø x Pas Ø x Lead | Începu- turi Thread starts | d1 mm | d2 mm | d3 mm | d4 mm | d5 mm | p mm | L mm | s mm | Greutate Weight (kg) | At* mm ² |
|------------------|----------------|---------------------|-------------------------------------|----------|----------|----------|----------|----------|---------|---------|---------|----------------------------|------------------------|
| dreapta right | stânga left | | | | | | | | | | | | |
| 79.011.023 | 79.011.020 | Tr 14x4 | 1 | 20 | 30 | 42 | 5,5 | 9,5 | 5,2 | 42 | 10 | 0,151 | 790 |
| 79.011.038 | 79.011.035 | Tr 16x4 | 1 | 22 | 32 | 45 | 5,5 | 9,5 | 5,2 | 48 | 10 | 0,183 | 1056 |
| 79.011.041 | --- | Tr 16x8 (P4) | 2 | 22 | 32 | 45 | 5,5 | 9,5 | 5,2 | 48 | 10 | 0,183 | 1056 |
| 79.011.047 | 79.011.044 | Tr 18x4 | 1 | 25 | 35 | 48 | 5,5 | 9,5 | 5,2 | 54 | 10 | 0,233 | 1356 |
| 79.011.056 | 79.011.053 | Tr 20x4 | 1 | 30 | 40 | 52 | 5,5 | 9,5 | 5,2 | 60 | 12 | 0,368 | 1696 |
| 79.011.059 | --- | Tr 20x8 (P4) | 2 | 30 | 40 | 52 | 5,5 | 9,5 | 5,2 | 60 | 12 | 0,368 | 1696 |
| 79.011.068 | 79.011.065 | Tr 22x5 | 1 | 30 | 40 | 52 | 5,5 | 9,5 | 5,2 | 60 | 12 | 0,338 | 1838 |
| 79.011.086 | 79.011.083 | Tr 25x5 | 1 | 35 | 48 | 62 | 6,5 | 11 | 6,5 | 75 | 15 | 0,586 | 2650 |
| 79.011.089 | --- | Tr 25x10 (P5) | 2 | 35 | 48 | 62 | 6,5 | 11 | 6,5 | 75 | 15 | 0,586 | 2650 |
| 79.011.092 | --- | Tr 25x25 (P5) | 5 | 35 | 48 | 62 | 6,5 | 11 | 6,5 | 75 | 15 | 0,586 | 2650 |
| 79.011.110 | 79.011.107 | Tr 28x5 | 1 | 40 | 53 | 68 | 6,5 | 11 | 6,5 | 90 | 18 | 0,903 | 3600 |
| 79.011.113 | --- | Tr 28x10 (P5) | 2 | 40 | 53 | 68 | 6,5 | 11 | 6,5 | 90 | 18 | 0,903 | 3600 |
| 79.011.116 | --- | Tr 30x3 | 1 | 40 | 53 | 68 | 6,5 | 11 | 6,5 | 90 | 18 | 0,841 | 3816 |
| 79.011.135 | 79.011.132 | Tr 30x6 | 1 | 40 | 53 | 68 | 6,5 | 11 | 6,5 | 90 | 18 | 0,841 | 3816 |
| 79.011.138 | --- | Tr 30x12 (P6) | 2 | 40 | 53 | 68 | 6,5 | 11 | 6,5 | 90 | 18 | 0,784 | 3816 |
| 79.011.147 | 79.011.144 | Tr 32x6 | 1 | 40 | 53 | 68 | 6,5 | 11 | 6,5 | 90 | 18 | 0,765 | 4100 |
| 79.011.174 | 79.011.171 | Tr 35x6 | 1 | 50 | 63 | 78 | 8,5 | 14 | 8,5 | 105 | 20 | 1,439 | 5277 |
| 79.011.210 | 79.011.207 | Tr 40x7 | 1 | 55 | 84 | 84 | 8,5 | 14 | 8,5 | 120 | 25 | 1,937 | 6880 |
| 79.011.219 | --- | Tr 40x10 | 1 | 55 | 84 | 84 | 8,5 | 14 | 8,5 | 120 | 25 | 1,986 | 6597 |
| 79.011.213 | --- | Tr 40x14 (P7) | 2 | 55 | 84 | 84 | 8,5 | 14 | 8,5 | 120 | 25 | 1,937 | 6597 |
| 79.011.261 | 79.011.258 | Tr 50x8 | 1 | 65 | 80 | 100 | 10,5 | 17 | 10,5 | 150 | 30 | 3,075 | 10840 |
| 79.011.264 | --- | Tr 50x10 | 1 | 65 | 80 | 100 | 10,5 | 17 | 10,5 | 150 | 30 | 3,127 | 10600 |
| 79.011.273 | 79.011.270 | Tr 60x9 | 1 | 75 | 95 | 120 | 12,5 | 17 | 12,5 | 150 | 30 | 4,797 | 15700 |

* Suprafață de contact între șurub și piuliță Contact surface between the screw and nut