

# H766



PA6  
+GF

UL94  
HB



## KNURLED HOLLOWED HANDWHEEL WITH THREADED STUD

### Material:

Reinforced polyamide.  
Oils and greases resistant.

### Surface:

Satin.

### Colour:

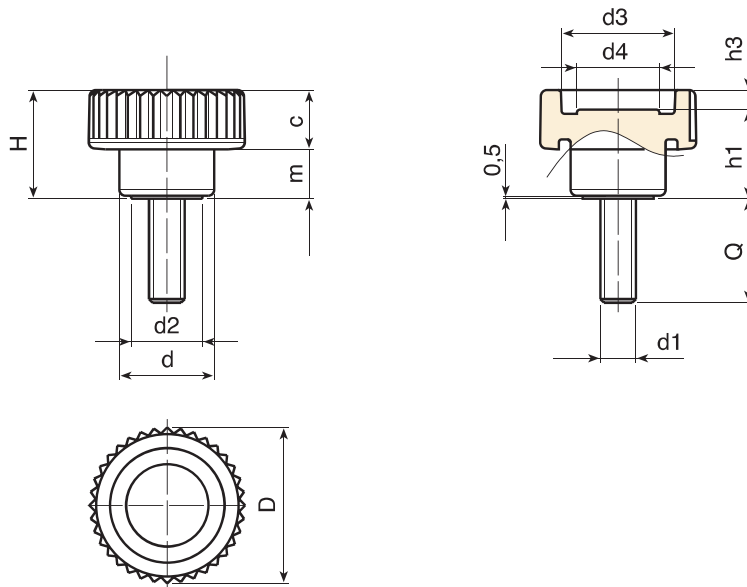
Black (RAL 9011).

### Main Insert:

Zinc plated steel threaded stud (tolerance 6g).

### SPECIAL REQUESTS:

- It is possible to supply inserts in different lengths or by special design, on request and for quantities.
- It is possible to supply inserts in different materials, on request and for quantities.
- It is possible to supply colours as shown in the table on page H-19, on request and for quantities.



art.	D	H	d	m	c	d2	d3	d4	h1	h3	LM	d1 6g	Q	Δ g
H76615.TM04X..01	15	10,5	10	4,5	6	8	10	7,5	8,5	2	40	M04	11-15-19	2,5-3-3,5
H76615.TM05X..01	15	10,5	10	4,5	6	8	10	7,5	8,5	2	40	M05	11-15-19	4-4,5-5
H76621.TM05X..01	21	15	13	6,5	8,5	9,5	15	10,5	12,5	2,5	40	M05	10-16-20-30	6,5-6,5-7,5-9,5
H76621.TM06X..01	21	15	13	6,5	8,5	9,5	15	10,5	12,5	2,5	40	M06	10-16-20-25	7,5-8,5-9-10,5
H76626.TM06X..01	26	18	16	8,5	9,5	12	19	13	15	3	80	M06	10-16-20-25	10-11-11,5-12,5
H76626.TM08X..01	26	18	16	8,5	9,5	12	19	13	15	3	80	M08	16-20-25	15,5-16,5-18,5
H76633.TM08X..01	32	23	20	10,5	12,5	15	23	16	18	5	80	M08	16-20-30	21-24-30
H76633.TM10X..01	32	23	20	10,5	12,5	15	23	16	18	5	80	M10	20-30-40	30-30,5-35,5
H76640.TM08X..01	40	28	25	12,5	15,5	18	28	21	22	6	100	M08	16-30-40	29,5-38-44
H76640.TM10X3001	40	28	25	12,5	15,5	18	28	21	22	6	100	M10	30	46
H76640.TM12X5001	40	28	25	12,5	15,5	18	28	21	22	6	100	M12	50	78
H76640.TM14X..01	40	28	25	12,5	15,5	18	28	21	22	6	100	M14	A.R.	-

Enter the stud length choice in the two .. of the article code. Lengths by request with 250 pieces minimum quantity.

LM = Maximum mouldable length.

A.R. = by request.

**H - KNURLED  
HANDWHEELS**

ver. HUK.12-0616



**BOTECA**

H - 4

Presumable presence in the stock in %

(☐) 90% (●) 40% (●) 5% (●)

www.boteco.it - © All right reserved - BOTECA ®

Any unauthorized reproduction is strictly forbidden

# KNURLED HOLLOWED HANDWHEEL WITH THREADED STUD

## H766 CIN



PA6  
+GF

UL94  
HB



### INOX

**Material:**

Reinforced polyamide.  
Oils and greases resistant.

**Surface:**

Satin.

**Colour:**

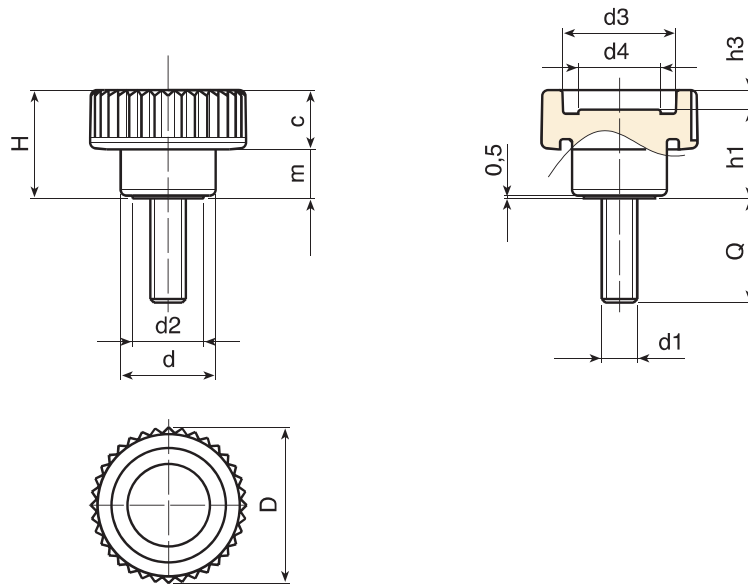
Black (RAL 9011).

**Main Insert:**

Stainless steel threaded stud (AISI 303) (tolerance 6g).

**SPECIAL REQUESTS:**

- It is possible to supply inserts in different lengths or by special design, on request and for quantities.
- It is possible to supply colours as shown in the table on page H-19, on request and for quantities.



	art.	D	H	d	m	c	d2	d3	d4	h1	h3	LM	d1	6g	Q	g
●	H76615.TM04X..01CIN	15	10,5	10	4,5	6	8	10	7,5	8,5	2	40	M04	A.R.	-	-
●	H76615.TM05X..01CIN	15	10,5	10	4,5	6	8	10	7,5	8,5	2	40	M05	A.R.	-	-
●	H76621.TM05X1601CIN	21	15	13	6,5	8,5	9,5	15	10,5	12,5	2,5	40	M05	16	9,5	9,5
●	H76621.TM06X..01CIN	21	15	13	6,5	8,5	9,5	15	10,5	12,5	2,5	40	M06	A.R.	-	-
●	H76626.TM06X..01CIN	26	18	16	8,5	9,5	12	19	13	15	3	80	M06	A.R.	-	-
●	H76626.TM08X2001CIN	26	18	16	8,5	9,5	12	19	13	15	3	80	M08	20	16,5	16,5
●	H76633.TM08X4001CIN	32	23	20	10,5	12,5	15	23	16	18	5	80	M08	40	36	36
●	H76633.TM10X..01CIN	32	23	20	10,5	12,5	15	23	16	18	5	80	M10	A.R.	-	-
●	H76640.TM08X..01CIN	40	28	25	12,5	15,5	18	28	21	22	6	100	M08	A.R.	-	-
●	H76640.TM10X..01CIN	40	28	25	12,5	15,5	18	28	21	22	6	100	M10	A.R.	-	-
●	H76640.TM12X..01CIN	40	28	25	12,5	15,5	18	28	21	22	6	100	M12	A.R.	-	-
●	H76640.TM14X..01CIN	40	28	25	12,5	15,5	18	28	21	22	6	100	M14	A.R.	-	-

Enter the stud length choice in the two .. of the article code. Lengths by request with 250 pieces minimum quantity.

LM = Maximum mouldable length.

A.R. = by request.

Presumable presence in the stock in %

( ) 90% ( ● ) 40% ( ● ) 5% ( ● )

BOTECO® - © All right reserved - www.boteco.it

Any unauthorized reproduction is strictly forbidden



BOTECO

H - KNURLED  
HANDWHEELS