

KNURLED HANDWHEEL WITH HUB AND THREADED FEMALE INSERT

H758



Material:

Reinforced polyamide.
Oils and greases resistant.

Surface:

Satin.

Colour:

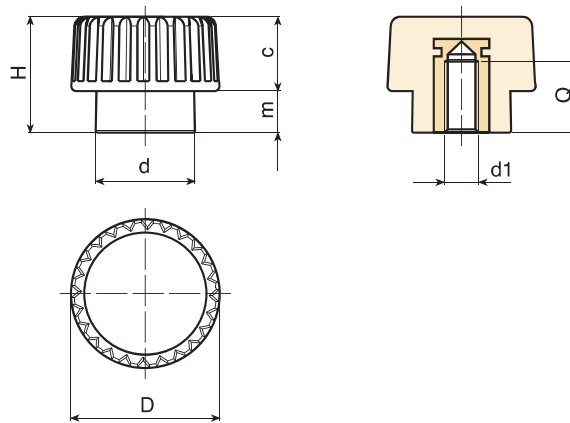
Black (RAL 9011).

Main Insert:

Brass blind threaded bush (tolerance 6H).

SPECIAL REQUEST:

- It is possible to supply the inserts in different materials, on request and for quantities.
- It is possible to supply colours as shown in the table at pag. H-19, on request and for quantities.



	art.	D	H	d	m	c	d1 6H	Q	⚖ g
●	H75815.TM0401	15	12	10	4,5	7,5	M04	7	4
●	H75815.TM0501	15	12	10	4,5	7,5	M05	7	4
●	H75815.TM0601	15	12	10	4,5	7,5	M06	7	4

Presumable presence in the stock in %

() 90% (●) 40% (●) 5% (●) |

BOTECO® - © All right reserved - www.boteco.it
Any unauthorized reproduction is strictly forbidden



BOTECO