

# KNURLED SOLID HANDWHEEL WITH THREADED FEMALE INSERT

## H757



PA6  
+GF

UL94  
HB



**Material:**

Reinforced polyamide.  
Oils and greases resistant.

**Surface:**

Satin.

**Colour:**

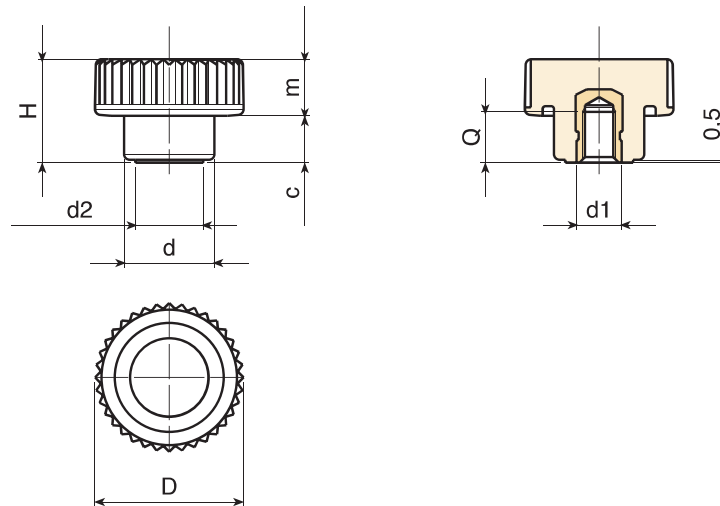
Black (RAL 9011).

**Main Insert:**

Brass blind threaded bush (tolerance 6H).

**SPECIAL REQUEST:**

- It is possible to supply the inserts in different materials, on request and for quantities.
- It is possible to supply colours as shown in the table at pag. H-19, on request and for quantities.



	art.	D	H	d	m	c	d2	d1 6H	Q	△ g
●	H75726.TM0501	26	18	16	8,5	9,5	12	M05	6	9
●	H75726.TM0601	26	18	16	8,5	9,5	12	M06	9	10
●	H75726.TM0801	26	18	16	8,5	9,5	12	M08	8	11

Presumable presence in the stock in %

() 90% (●) 40% (●) 5% (●) |

BOTECO® - © All right reserved - [www.boteco.it](http://www.boteco.it)  
Any unauthorized reproduction is strictly forbidden



**BOTECO**

**H - KNURLED  
HANDWHEELS**