

H753



PA6
+GF

UL94
HB



KNURLED SOLID HANDWHEEL WITH THREADED STUD

Material:

Reinforced polyamide.
Oils and greases resistant.

Surface:

Satin.

Colour:

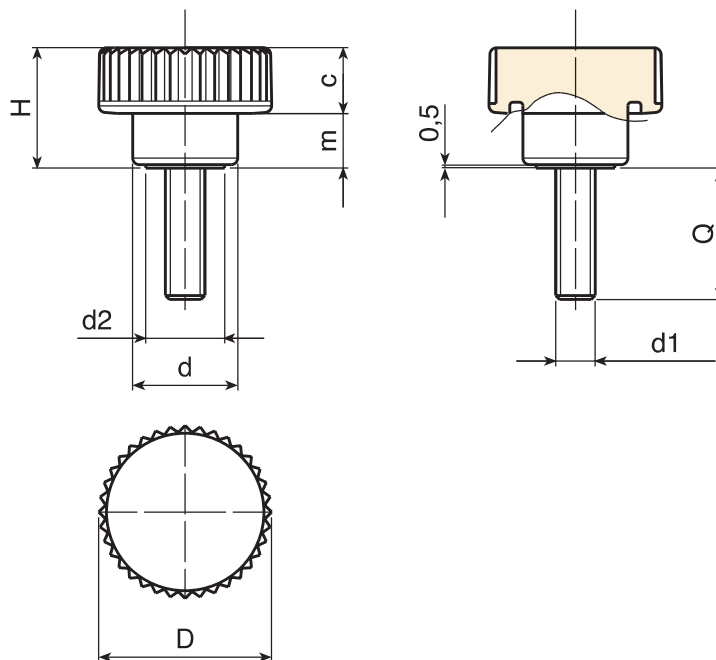
Black (RAL 9011).

Main Insert:

Zinc plated steel threaded stud (tolerance 6g).

SPECIAL REQUESTS:

- It is possible to supply inserts in different lengths or by special design, on request and for quantities.
- It is possible to supply inserts in different materials, on request and for quantities.
- It is possible to supply colours as shown in the table on page H-19, on request and for quantities.



	art.	D	H	d	m	c	d2	LM	d1 6g	Q	Δ g
●	H75326.TM05X..01	26	18	16	8,5	9,5	12	50	M05	A.R.	-
	H75326.TM06X..01	26	18	16	8,5	9,5	12	50	M06	20-25	13-14
	H75326.TM08X..01	26	18	16	8,5	9,5	12	50	M08	20-30	20-22

Enter the stud length choice in the two .. of the article code. Lengths by request with 250 pieces minimum quantity.

LM = Maximum mouldable length.

A.R. = by request.

H - KNURLED
HANDWHEELS

ver. HUK.12-0616



BOTECA®

H - 8

Presumable presence in the stock in %

() 90% (●) 40% (●) 5% (●)

www.boteco.it - © All right reserved - BOTECA®
Any unauthorized reproduction is strictly forbidden