

# G797



PA6  
+GF

UL94  
HB



## KNOB WITH THREADED STUD

### Material:

Reinforced polyamide.  
Oils and greases resistant.

### Surface:

Satin.

### Colour:

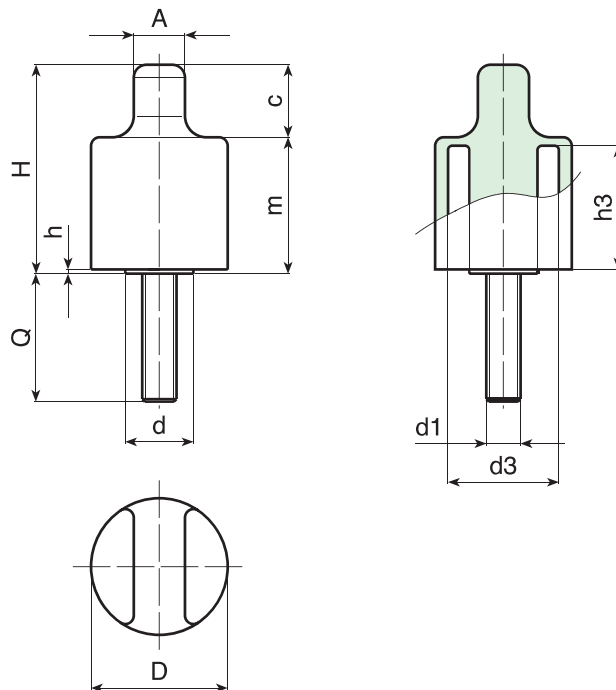
Black (RAL 9011).

### Main Insert:

Zinc plated steel threaded stud (tolerance 6g).

### SPECIAL REQUESTS:

- It is possible to supply inserts in different lengths or by special design, on request and for quantities.
- It is possible to supply inserts in different materials, on request and for quantities.
- It is possible to supply colours as shown in the table on page G-27, on request and for quantities.



	art.	D	H	d	A	c	m	h	h3	d3	LM	d1 6g	Q	⚖ g
●	G79732.TM06X2001	32	49	16	12	15	34	1	29	25,5	60	M06	20	37
●	G79732.TM08X2501	32	49	16	12	15	34	1	29	25,5	60	M08	25	43
●	G79732.TM10X2001	32	49	16	12	15	34	1	29	25,5	60	M10	40	57
●	G79732.TM12X2001	32	49	16	12	15	34	1	29	25,5	60	M12	20	59

LM = Maximum mouldable length.

It's possible to have different length, by customers requests. Minimum 150 pieces.

**G - LOCKING  
HANDWHEELS**

ver. GUK.14-0616



**BOTECA**

G - 22

Presumable presence in the stock in %

(☐) 90% (●) 40% (●) 5% (●)

www.boteco.it - © All right reserved - BOTECA®  
Any unauthorized reproduction is strictly forbidden