

4-LOBE HANDWHEEL WITH SMOOTH HOLE INSERT

G733



Material:

Reinforced polyamide.
Oils and greases resistant.

Surface:

Satin.

Colour:

Black (RAL 9011).

Main Insert:

(*) Brass insert with smooth blind hole (H7 tolerance).

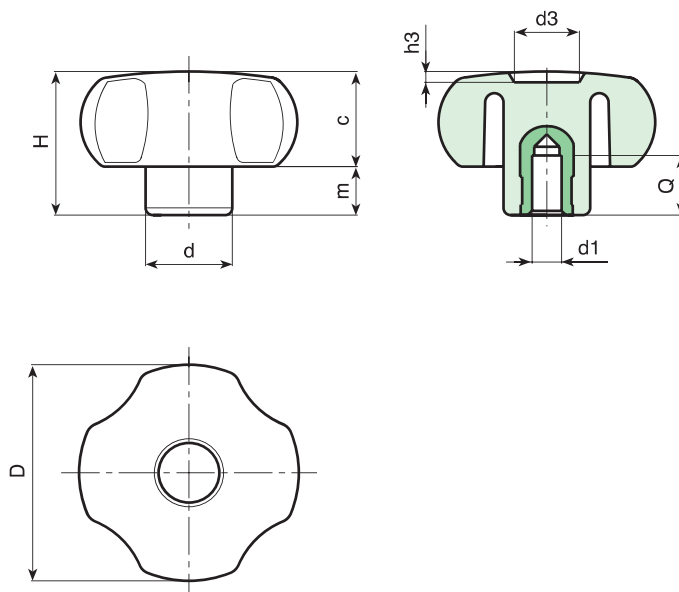
ATTENTION: bore cannot be enlarged.

(#) Zinc plated steel insert with smooth blind hole (H10 tolerance).



SPECIAL REQUEST:

- It is possible to supply the inserts in different materials, on request and for quantities.
- It is possible to supply colours as shown in the table at pag. G-27, on request and for quantities.



	art.	D	H	d	c	m	d3	h3	Dm	d1 H7	Q	⚖ g
●	G73330.TD0601	30	23	15	13,5	9,5	12	2	-	(*) 06	15	16
●	G73330.TD0801	30	23	15	13,5	9,5	12	2	-	(*) 08	15	17
●	G73340.TD0601	40,5	29,5	15,5	18,5	11	12	3	-	(*) 06	15	24
●	G73340.TD0801	40,5	29,5	15	18,5	11	12	3	-	(*) 08	15	28
●	G73340.TD1001	40,5	29,5	17,5	18,5	11	12	3	-	(*) 10	15	30
●	G73350.TD0601	49	32	20,5	21,5	11	14,5	2,5	12	(#) 06	18	60
●	G73350.TD0801	49	32	20,5	21,5	11	14,5	2,5	12	(#) 08	18	62
●	G73350.TD1001	49	32	20,5	21,5	11	14,5	2,5	12	(#) 10	18	63
●	G73360.TP0501	59	40	23	25	15	24	4	12	(#) 05	18	90
●	G73360.TD0801	59	40	23	25	15	24	4	12	(#) 08	18	93
●	G73360.TD1001	59	40	23	25	15	24	4	12	(#) 10	18	96
●	G73380.TP0501	79	41	30	24	17	21	3	18	(#) 05	24	165
●	G73380.TD0801	79	41	30	24	17	21	3	18	(#) 08	24	159
●	G73380.TD1201	79	41	30	24	17	21	3	18	(#) 12	24	153

Attention: (#) bore d1 (H10 tolerance) could be produced by request, with 200 pieces minimum.

Dm = It's possible to increase the hole, by boring, until Dm (enlarge).

Presumable presence in the stock in %

(●) 90% (●) 40% (●) 5% (●)

BOTECO® - © All right reserved - www.boteco.it

Any unauthorized reproduction is strictly forbidden



BOTECO

**G - LOCKING
HANDWHEELS**