

4-LOBE HANDWHEEL WITH THREADED STUD

Material:

Reinforced polyamide. Oils and greases resistant.

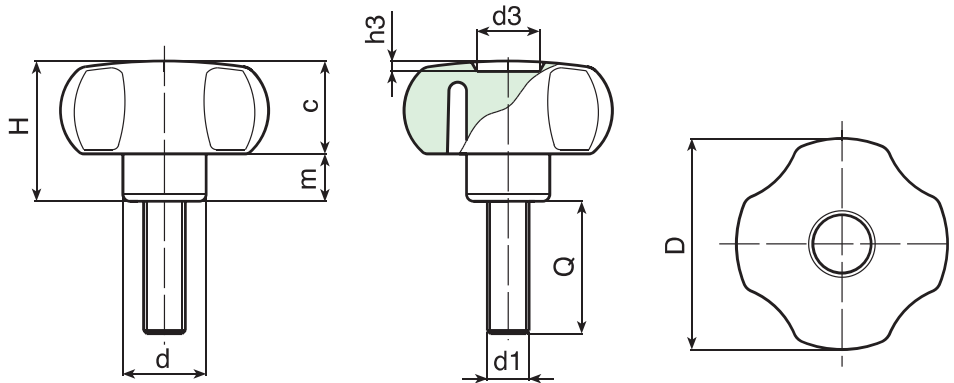
Surface: Satin.

Colour: Black (RAL 9011).

Main Insert: Zinc plated steel threaded stud (tolerance 6g).

SPECIAL REQUESTS:

- It is possible to supply inserts in different lengths or by special design, on request and for quantities.
- It is possible to supply inserts in different materials, on request and for quantities.
- It is possible to supply colours as shown in the table on page G-27, on request and for quantities.



| art. | D | H | d | c | m | d3 | h3 | LM | d1 6g | Q | △ g |
|-------------------------|------|------|------|------|-----|------|-----|-----|-------|-------------------|-------------------|
| G73220.TM04X..01 | 21 | 14 | 11 | 8,5 | 5,5 | 8 | 1,5 | 50 | M04 | 10-16-20 | 4-4,5-5 |
| G73220.TM05X..01 | 21 | 14 | 11 | 8,5 | 5,5 | 8 | 1,5 | 50 | M05 | 10-16-20-30-50 | 6-6,5-7-8-10 |
| G73220.TM06X..01 | 21 | 14 | 11 | 8,5 | 5,5 | 8 | 1,5 | 50 | M06 | 10-16-20-30-40 | 6,5-7,5-8-9,5-11 |
| G73225.TM04X..01 | 26 | 16 | 12 | 10 | 6 | 10 | 1,5 | 95 | M04 | A.R. | - |
| G73225.TM05X..01 | 26 | 16 | 12 | 10 | 6 | 10 | 1,5 | 95 | M05 | 10-16-20-25 | 8-8,5-9-9,5 |
| G73225.TM06X..01 | 26 | 16 | 12 | 10 | 6 | 10 | 1,5 | 95 | M06 | 10-16-20-25-30 | 10-11-13-14-15 |
| G73225.TM08X..01 | 26 | 16 | 12 | 10 | 6 | 10 | 1,5 | 90 | M08 | 16-20-30-40 | 14-16-20-24 |
| G73230.TM05X..01 | 30 | 23 | 15 | 13,5 | 9,5 | 12 | 2 | 90 | M05 | 20-30 | 13-14 |
| G73230.TM06X..01 | 30 | 23 | 15 | 13,5 | 9,5 | 12 | 2 | 90 | M06 | 10-16-20-30-40-50 | 14-15-16-18-20-22 |
| G73230.TM08X..01 | 30 | 23 | 15 | 13,5 | 9,5 | 12 | 2 | 90 | M08 | 16-20-30-40-50 | 20-22-25-28-31 |
| G73230.TM10X..01 | 30 | 23 | 15 | 13,5 | 9,5 | 12 | 2 | 90 | M10 | 20-50 | 25-43 |
| G73240.TM06X..01 | 40,5 | 29,5 | 15,5 | 18,5 | 11 | 12 | 3 | 100 | M06 | 10-16-20-30-40 | 23-24-26-28-30 |
| G73240.TM08X..01 | 40,5 | 29,5 | 15 | 18,5 | 11 | 12 | 3 | 100 | M08 | 16-20-30-40-50 | 28-31-34-37-40 |
| G73240.TM10X..01 | 40,5 | 29,5 | 17,5 | 18,5 | 11 | 12 | 3 | 100 | M10 | 20-30 | 38-43 |
| G73240.TM12X..01 | 40,5 | 29,5 | 21 | 18,5 | 11 | 12 | 3 | 100 | M12 | A.R. | - |
| G73250.TM06X2001 | 49 | 32 | 20,5 | 21,5 | 11 | 14,5 | 2,5 | 120 | M06 | 20 | 43 |
| G73250.TM08X..01 | 49 | 32 | 20,5 | 21,5 | 11 | 14,5 | 2,5 | 120 | M08 | 16-20-30-40-50-60 | 49-51-54-57-60-64 |
| G73250.TM10X..01 | 49 | 32 | 20,5 | 21,5 | 11 | 14,5 | 2,5 | 120 | M10 | 15-20-30-40-50-60 | 55-58-63-68-72-77 |
| G73250.TM12X..01 | 49 | 32 | 20,5 | 21,5 | 11 | 14,5 | 2,5 | 120 | M12 | 30-50 | 77-90 |
| G73260.TM08X..01 | 59 | 40 | 23 | 25 | 15 | 24 | 4 | 120 | M08 | 16-20-30-40-50 | 73-76-79-81 |
| G73260.TM10X..01 | 59 | 40 | 23 | 25 | 15 | 24 | 4 | 120 | M10 | 20-30-60 | 79-84-100 |
| G73260.TM12X..01 | 59 | 40 | 23 | 25 | 15 | 24 | 4 | 120 | M12 | 25-30-40-50-60 | 94-97-104-111-119 |
| G73260.TM14X..01 | 59 | 40 | 23 | 25 | 15 | 24 | 4 | 120 | M14 | A.R. | - |
| G73280.TM10X..01 | 79 | 41 | 30 | 24 | 17 | 21 | 3 | 80 | M10 | A.R. | - |
| G73280.TM12X..01 | 79 | 41 | 30 | 24 | 17 | 21 | 3 | 80 | M12 | 25-45-50-60 | 115-132-135-142 |
| G73280.TM14X..01 | 79 | 41 | 30 | 24 | 17 | 21 | 3 | 80 | M14 | A.R. | - |
| G73280.TM16X..01 | 79 | 41 | 30 | 24 | 17 | 21 | 3 | 80 | M16 | A.R. | - |

LM = Maximum mouldable length. It's possible to have different lengths, by customers requests. Minimum 100 pieces.