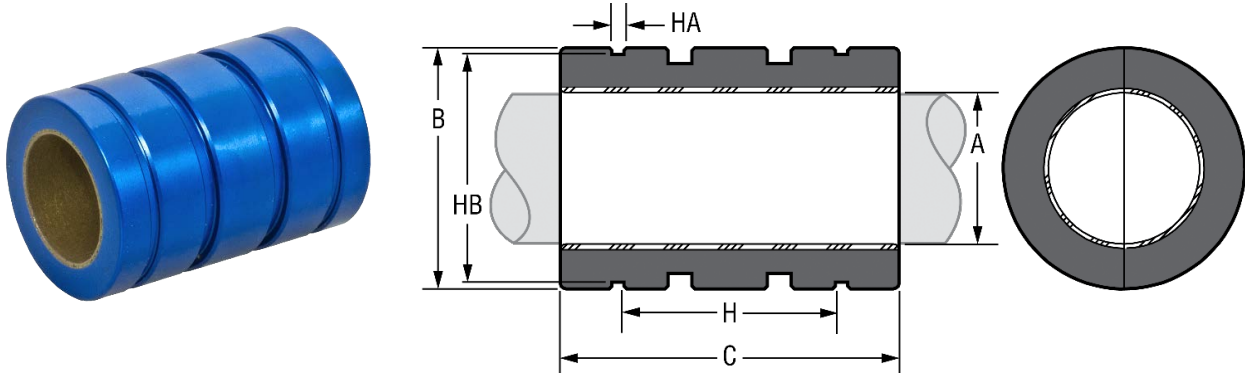


## TIP FM / FMC FM / FMC TYPE



Cod Code	Tip Type	Nom. Ø Nom. Ø	A		B		C		Concentritatea Concentricity	H	HA	HB	Sarcină Load	Greutate Weight
			min	max	min	max	min	max						
(mm)														
FM - seria de precizie / precision series														
84.036.022	FM 05	5	5,010	5,028	11,982	12	21,619	22	0,0254	12	1,14	11,5	2276	4
84.036.003	FM 08	8	8,013	8,035	15,982	16	24,619	25	0,0254	14	1,14	15,2	4120	9
84.036.004	FM 10	10	10,013	10,035	18,979	19	28,619	29	0,0254	19,4	1,32	18	5984	14
84.036.005	FM 12	12	12,016	12,043	21,979	22	31,619	32	0,0254	20	1,32	21	7907	17
84.036.007	FM 16	16	16,016	16,043	25,979	26	35,619	36	0,0254	22	1,32	24,9	11870	28
84.036.009	FM 20	20	20,020	20,053	31,975	32	44,619	45	0,0254	28	1,63	30,3	18541	54
84.036.011	FM 25	25	25,020	25,053	39,975	40	57,619	58	0,0254	40	1,9	37,5	29881	109
84.036.013	FM 30	30	30,020	30,053	46,975	47	67,619	68	0,0254	48	1,9	44,5	42026	176
84.036.015	FM 40	40	40,025	40,064	61,970	62	79,619	80	0,0254	56	2,2	59	65923	356
84.036.016	FM 50	50	50,025	50,640	74,970	75	99,619	100	0,0254	72	2,7	72	103005	628
FMC - seria compensată / compensated series														
84.070.022	FMC 05	5	5,060	5,078	11,982	12	21,619	22	0,0254	12	1,14	11,5	2276	4
84.070.003	FMC 08	8	8,063	8,085	15,982	16	24,619	25	0,0254	14	1,14	15,2	4120	9
84.070.004	FMC 10	10	10,063	10,085	18,979	19	28,619	29	0,0254	19,4	1,32	18	5984	14
84.070.005	FMC 12	12	12,066	12,093	21,979	22	31,619	32	0,0254	20	1,32	21	7907	17
84.070.007	FMC 16	16	16,066	16,093	25,979	26	35,619	36	0,0254	22	1,32	24,9	11870	28
84.070.009	FMC 20	20	20,096	20,129	31,975	32	44,619	45	0,0254	28	1,63	30,3	18541	54
84.070.011	FMC 25	25	25,096	25,129	39,975	40	57,619	58	0,0254	40	1,9	37,5	29881	109
84.070.013	FMC 30	30	30,096	30,129	46,975	47	67,619	68	0,0254	48	1,9	44,5	42026	176
84.070.015	FMC 40	40	40,127	40,166	61,970	62	79,619	80	0,0254	56	2,2	59	65923	356
84.070.016	FMC 50	50	50,127	50,166	74,970	75	99,619	100	0,0254	72	2,7	72	103005	628

**Material:** aluminiu anodizat  
**Acoperire interioară:** Frelon Gold

**Material:** anodized aluminium  
**Internal coating:** Frelon Gold