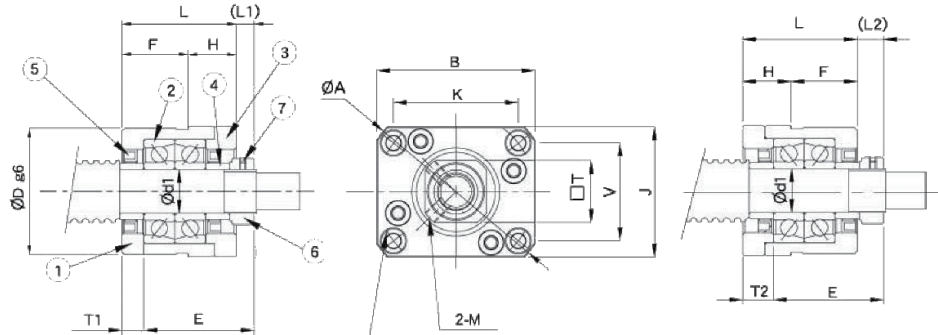




TIP FKA
FKA TYPE



4 găuri (X) øY adâncime degajare Z
4 pcs bores (X), øY counter bore depth Z

Cod Code	Tip Type	Rulment Bearing	d1	L	H	F	E	Dg6	A	B	J	K	V	X	Y	Z	M	T
Rulment de calitate Quality bearing			(mm)															
82.009.003	FKA06	706A P5	6	20	7	13	22	28	44	36	30	26,79	20,93	3.4	6.5	4	M3	12
82.009.005	FKA08	708A P5	8	23	9	14	26	28	44	36	30	26,79	20,93	3.4	6.5	4	M3	14
82.009.007	FKA10	7000A P5	10	27	10	17	29.5	36	56	48	39	35,7	27,39	4.5	8	4	M3	16
82.009.009	FKA12	7001A P5	12	27	10	17	29.5	36	56	48	39	35,7	27,39	4.5	8	4	M4	19
82.009.012	FKA15	7002A P5	15	32	15	17	36	40	65	56	43	39,4	30,78	5.5	9.5	6	M4	22
82.009.017	FKA20	7204A P5	20	52	22	30	50	57	86	72	59	56,74	44,33	6.6	11	10	M4	30