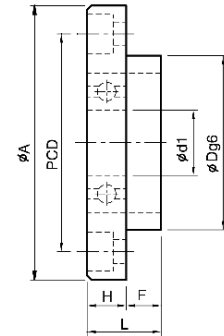
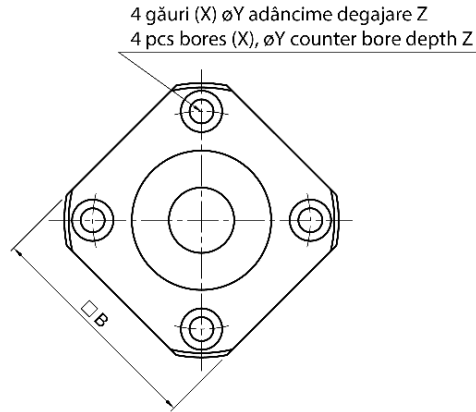


TIP FF  
FF TYPE



| Cod Code                               |                                      | Tip Type | Rulment Bearing | d1   | L  | H  | F  | Dg6 | A   | PCD | B  | X   | Y    | Z   |
|--|--------------------------------------|----------|-----------------|------|----|----|----|-----|-----|-----|----|-----|------|-----|
| Rulment de calitate<br>Quality bearing | Rulment chinezesc<br>Chinese bearing |          |                 | (mm) |    |    |    |     |     |     |    |     |      |     |
| 82.005.003                             | 82.023.003                           | FF06     | 606VV           | 6    | 10 | 6  | 4  | 22  | 36  | 28  | 28 | 3.4 | 6.5  | 4   |
| 82.005.007                             | 82.023.007                           | FF10     | 608ZZ           | 8    | 12 | 7  | 5  | 28  | 43  | 35  | 35 | 3.4 | 6.5  | 4   |
| 82.005.009                             | 82.023.009                           | FF12     | 6000ZZ          | 10   | 15 | 7  | 8  | 34  | 52  | 42  | 42 | 4.5 | 8    | 4   |
| 82.005.012                             | 82.023.012                           | FF15     | 6002ZZ          | 15   | 17 | 9  | 8  | 40  | 63  | 50  | 52 | 5.5 | 9.5  | 5.5 |
| 82.005.014                             | 82.023.014                           | FF17     | 6203ZZ          | 17   | 20 | 11 | 9  | 50  | 77  | 62  | 61 | 6.6 | 11   | 6.5 |
| 82.005.017                             | 82.023.017                           | FF20     | 6204ZZ          | 20   | 20 | 11 | 9  | 57  | 85  | 70  | 68 | 6.6 | 11   | 6.5 |
| 82.005.022                             | 82.023.022                           | FF25     | 6205ZZ          | 25   | 24 | 14 | 10 | 63  | 98  | 80  | 79 | 9   | 14   | 8.5 |
| 82.005.027                             | 82.023.027                           | FF30     | 6206ZZ          | 30   | 27 | 18 | 9  | 75  | 117 | 95  | 93 | 11  | 17.5 | 11  |